

R19A Series Rocker Switches



R19A-12BBBT R19A-12BBAW R19A-30GWET



R19A-12BBOTP Paddle R19A-001 W/ LED R19A-12BBERL

SPECIFICATION:

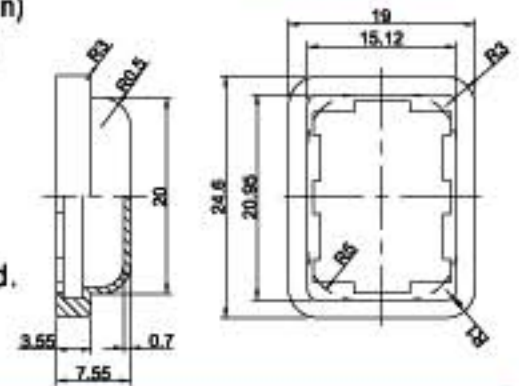
Rating: 2A 250V & 6A 250V AC (Standard), 8A 250V.
 Contacts gap: > 3mm.
 Contact resistance: < 20mΩ.
 Insulation resistance: > 1,000MΩ.
 Dielectric strengths: > 1,500V 1 minute.
 Mechanical life: 30,000 Cycles.(Min)
 Electrical life: 10,000 Cycles.(Min)

MATERIALS:

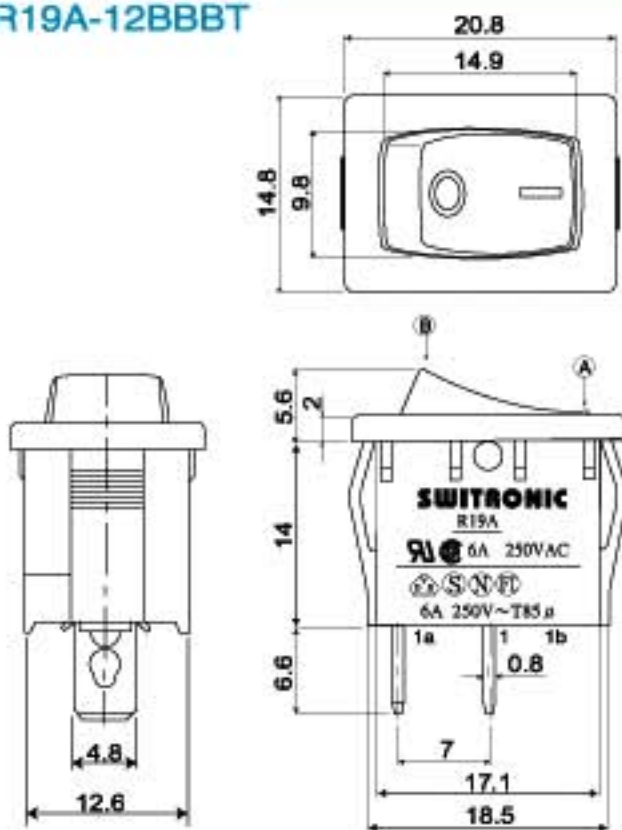
Body: Nylon 66.
 Rocker: PC or Nylon.
 Contact surface:
 Alloy Contact Point, Silver Plated.
 Illuminated: LED.
 Terminal: Brass, Silver Plated.



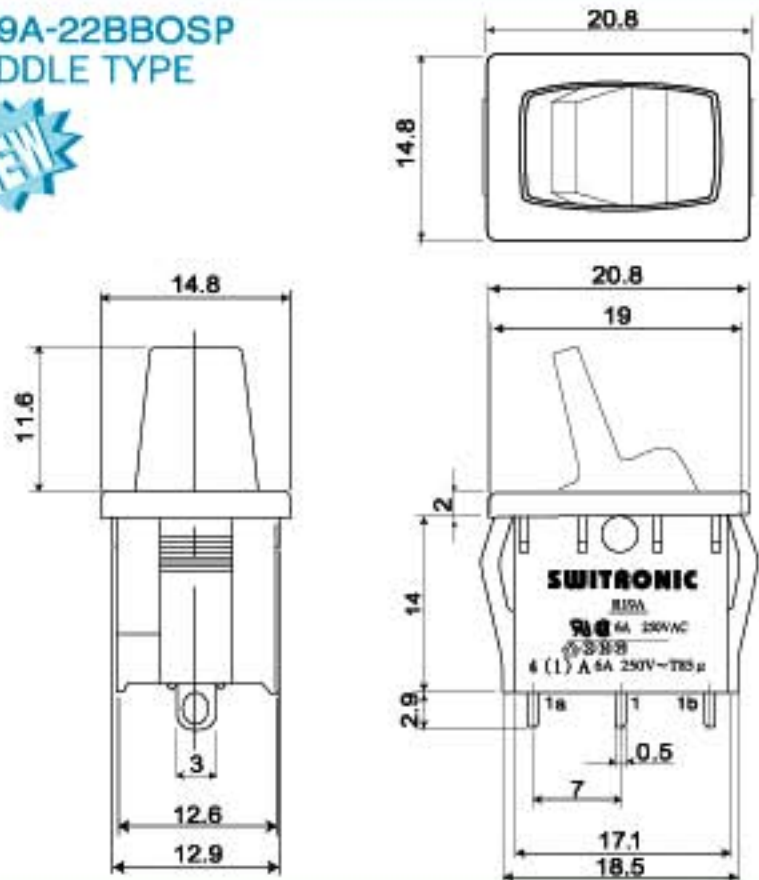
R19 SEAL CAP



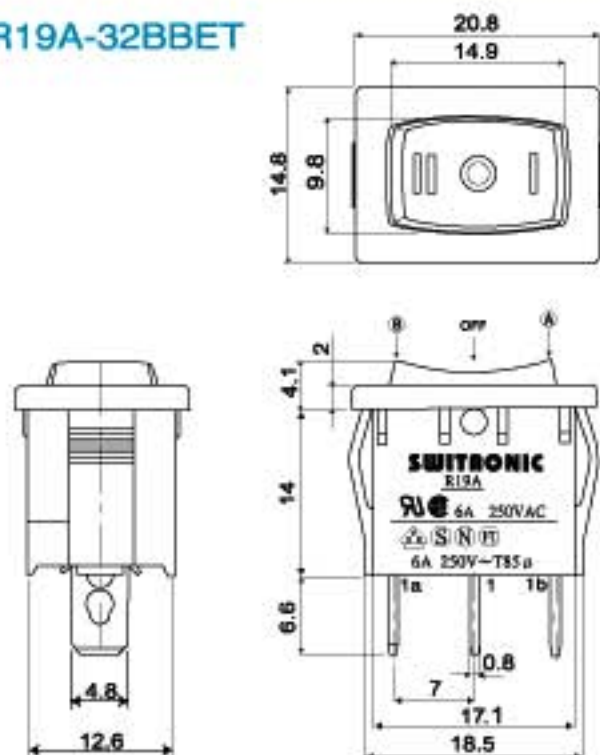
R19A-12BBBT



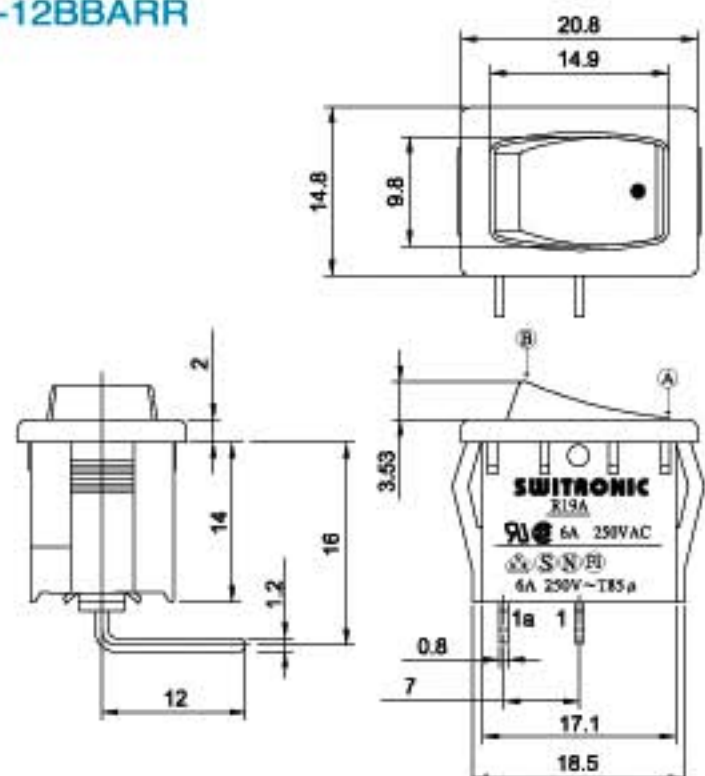
R19A-22BBOSP PADDLE TYPE



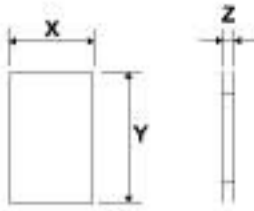
R19A-32BBET



R19A-12BBARR

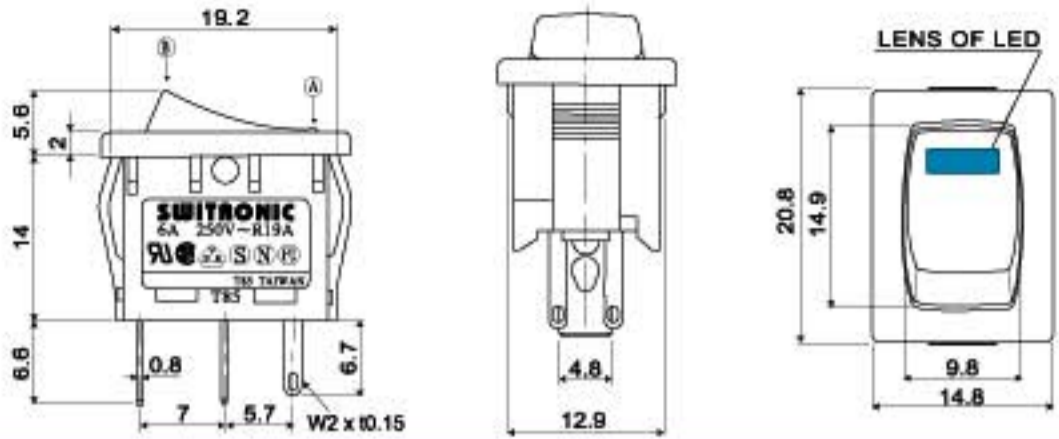


PANEL HOLE DIMENSIONS

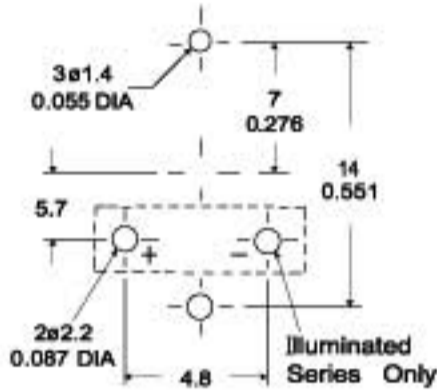
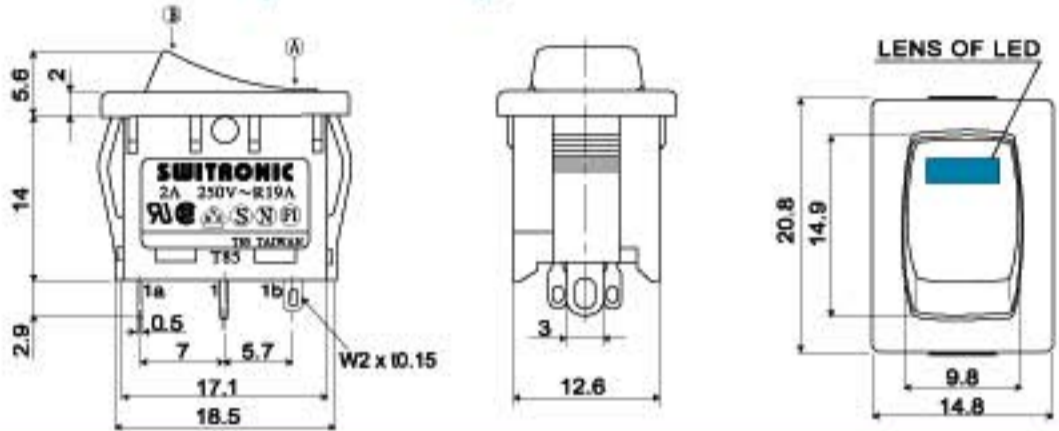


Z	X	Y
0.70 - 1.25	12.8 - 12.9	19.2 - 19.3
1.25 - 2.00	12.8 - 12.9	19.3 - 19.4
2.00 - 3.00	12.8 - 12.9	19.5 - 19.6

R19A-02IBBOTR (6A 250V AC), W/RED LED



R19A-00IBBOSR (2A 250V AC), W/RED LED

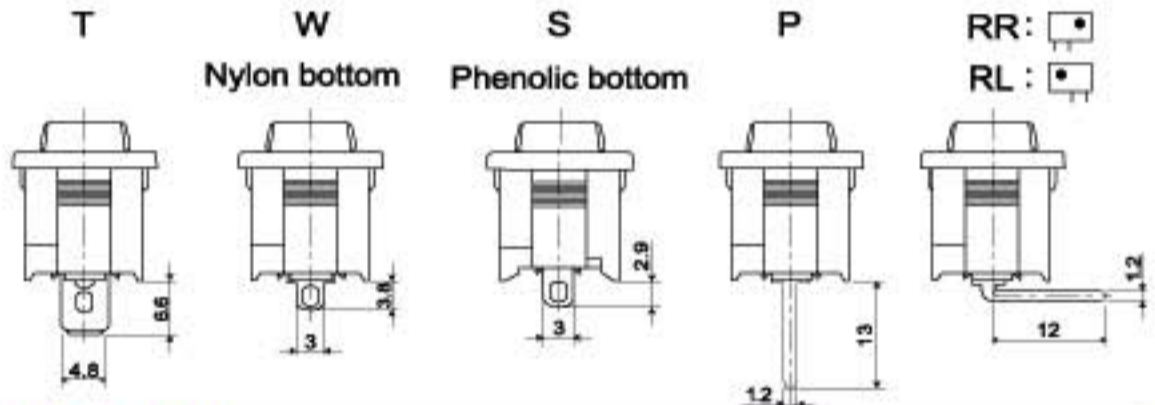


PC Mounting

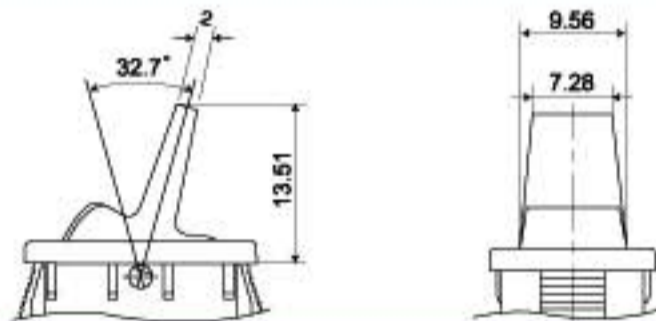
() MOMENTARY

FUNCTION	MODEL NO.	2 A	6 A	8 A
ON OFF LED Illuminated	R19A-0	0I	2I	5I
ON OFF SPST	R19A-1	0	2	5
ON ON SPDT	R19A-2	0	2	5
ON OFF ON SPDT	R19A-3	0	2	5
ON (ON) SPDT	R19A-4	0	2	5
OFF (ON) SPST	R19A-5	0	2	5
(ON) OFF (ON) SPDT	R19A-6	0	2	5
ON (OFF) SPST	R19A-7	0	2	5
ON OFF (ON) SPDT	R19A-8	0	2	5

TERMINAL TYPE



PADDLE TYPE



HOW TO ORDER

R19A-0 0I B B O S R

MODEL NO.	RATING	HOUSING COLOR	ROCKER COLOR	MARKING	TERMINAL TYPE	LED COLOR OR PADDLE TYPE
R19A-0	0 : 2A	B : BLACK	B : BLACK		T	□ : NORMAL
1	2 : 6A	W : WHITE	W : WHITE		W	P : PADDLE TYPE
R19A-8	5 : 8A	G : GRAY	G : GRAY		S	※ FOR R19A-0 W/LED ONLY
	0I : 2A (W/LED)		R : RED		P	R : RED LED
	2I : 6A (W/LED)		Y : YELLOW		RR	Y : YELLOW LED
	5I : 8A (W/LED)		GN : GREEN		RL	G : GREEN LED