

Data sheet

Commercial Art.No.: 56.397.0155.0

Feed-through terminal RFK 1 / 150 K S35/V0

Feed-through terminal with Screw connection for mounting on TS 35/7,5 mm, nominal cross section: 150 mm², width: 42 mm, color: grey



Commercial Art.No.	56.397.0155.0
EAN	4015573598560
Order Unit	10

Certificates / Approvals



Technical data

General

Nominal cross section	150 mm ²
Color	Grey
Number of levels	1
Number of clamp positions per level	2
Width/grid dimension	42 mm
Insulating housing	PA666
Inflammability class of insulation material acc. with UL94	V0
Explosion-tested version "Ex e"	No
Mounting method	DIN rail (top hat rail) 35/7.5 mm
Terminal blocks for electrical installations	No

Technical data

Rated current	335 A
Rated voltage	1000 V
Pollution degree	3
Closing plate required	No
Type of insulation material	Thermoplastic
Length	92 mm

Connection Data

Connection type 1	screw connection
Connection type 2	screw connection
Minimum cross section fine stranded	70 mm ²
Maximum cross section fine stranded	150 mm ²
Minimum cross section stranded	70 mm ²

Maximum cross section stranded	150 mm ²
Wire strip length	27 mm
Torque conductor mounting	10 Nm

Technical Data UL/CSA

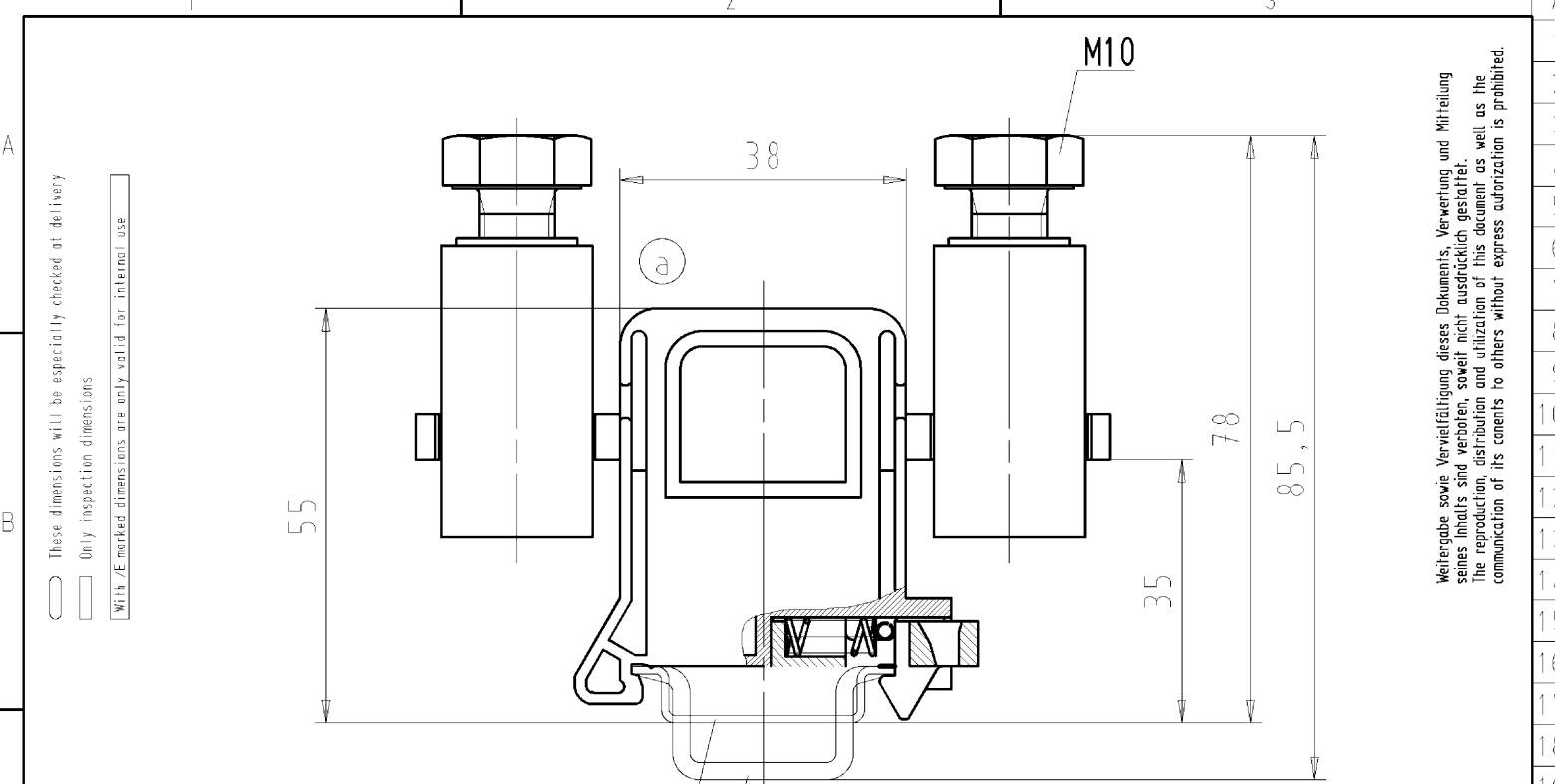
Cross section UL	0 AWG-300 kcmil
Voltage UL	600 V
Current factory wiring	275 A
Current field wiring	275 A
Cross section CSA	0 AWG-300 kcmil
Voltage CSA	600 V
Current CSA	300 A

Classification

ECLASS 11	
ECLASS 8.1	27141120
ETIM 7.0	EC000897
ETIM 6.0	EC000897
ETIM 5.0	EC000897
ETIM 4.0	EC000897
ETIM 3.0	EC000897

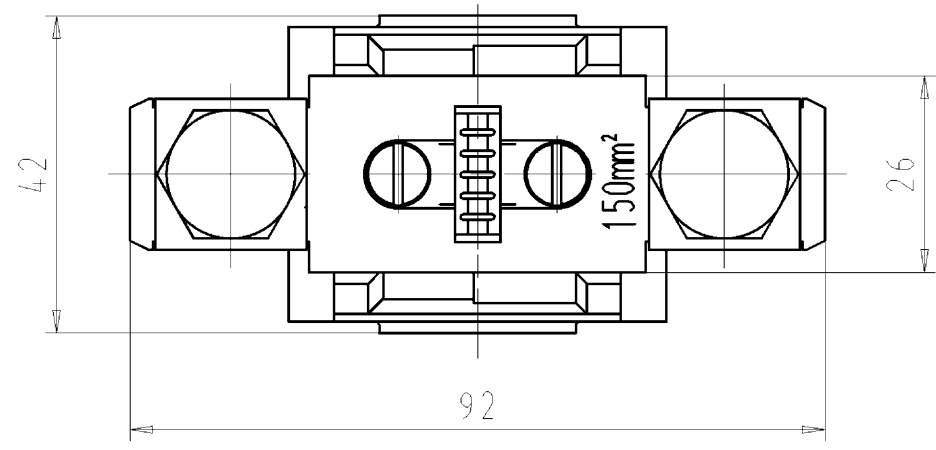
Product compliance

ROHS conformity status	Compliant
REACH-SVHC conformity status	Compliant



Tragschiene EN 60715-35x7,5
mounting rail EN 60715-35x7,5

Tragschiene EN 60715-35x15
mounting rail EN 60715-35x15



Weitere Daten siehe Katalog
further data see catalog

Tolerierung Size ISO 14405(☐)/Tolerance system Size ISO 14405(☐).
 (This ISO-standard describes the envelope principle. According to the envelope principle the deviations of form and parallelism are limited by the size tolerances).

ja/yes Stoffverbots- und Deklarationsliste nach UU-TQM-05/03 ist einzuhalten.
 Conformity with Wieland document UU-TQM-05/03 (list of prohibited / declarable hazardous substances) to be declared!

Freitoleranz nach DIN ISO 2768 - m CAD - Zeichnung, keine manuellen Änderungen I.Verwendung: - Blatt: 1 von 1
 General tolerance CAD - drawing, no manual modifications allowed First Use: Sheet: 1 of 1

	/		Werkstoff/Material	2003	Tag/Date	Name	Zeichnung Nr./Drawing No.	Index
	/			gezeichnet drawn	17.04.	Schneiderb.		
	/			geprüft checked	-	-		
	/	Maßstab/Scale	mm³ Öl./Surf. mm²	Normgepr. Stand. check	-	-	56.397.0155.0 01K a	a
	/			1:1	Maße in mm/Dimensions are in mm			
	/	Vol.	Ersatz für/Replacement for: -					

	/		wieland Elektrische Verbindungen	Type	Benennung/Tittle		
a	11.07.2012/			REIHENFLACHKLEMME			
Index	Datum / Blatt Date / Sheet			terminal			
Änderung/Revision		RFK 1/150 K S 35					

Weitergabe sowie Vervielfältigung dieses Dokuments, Verwertung und Mitteilung seines Inhalts sind verboten, soweit nicht ausdrücklich gestattet. Die Reproduktion, Distribution und Utilization of this document as well as the communication of its contents to others without express authorization is prohibited.

563970155001K_2 CADW2036.treschan 2012-07-11T14:01:01 1.000