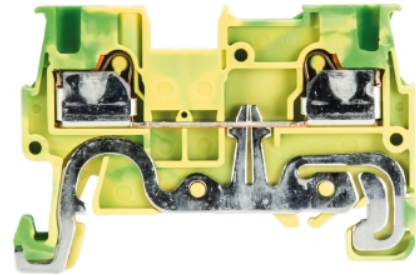


## Data sheet

Commercial Art.No.: 56.202.9055.0

Earth terminal WTP 1,5 PE

Ground terminal with push in connection for mounting on TS 35, nominal cross section: 1,5 mm<sup>2</sup>, width: 3,5 mm, color: Green-yellow



Commercial Art.No.	56.202.9055.0
EAN	4049088360503
Order Unit	100

## Technical data

### General

Nominal cross section	1.5 mm <sup>2</sup>
Color	Green/yellow
Number of levels	1
Number of clamp positions per level	2
Width/grid dimension	3.5 mm
Insulating housing	PA666
Inflammability class of insulation material acc. with UL94	V0
Mounting method	DIN rail (top hat rail)

### Technical data

Rated voltage	500 V
Rated impulse voltage	6 kV
Pollution degree	3
Type of insulation material	Thermoplastic
Length	47.3 mm
Width	3.5 mm
Height	31.6 mm

### Connection Data

Connection type	Plug-in connection
Connection type 1	Plug-in connection
Minimum cross section solid	0.14 mm <sup>2</sup>
Maximum cross section solid	2.5 mm <sup>2</sup>
Minimum cross section fine stranded	0.14 mm <sup>2</sup>
Maximum cross section fine stranded	1.5 mm <sup>2</sup>
Wire strip length	8 mm

### Classification

ECLASS 11	
-----------	--

ECLASS 8.1	27141141
ETIM 7.0	EC000901
ETIM 6.0	EC000901
ETIM 5.0	EC000901
ETIM 4.0	EC000901

**Product compliance**

REACH-SVHC conformity status	Compliant
------------------------------	-----------

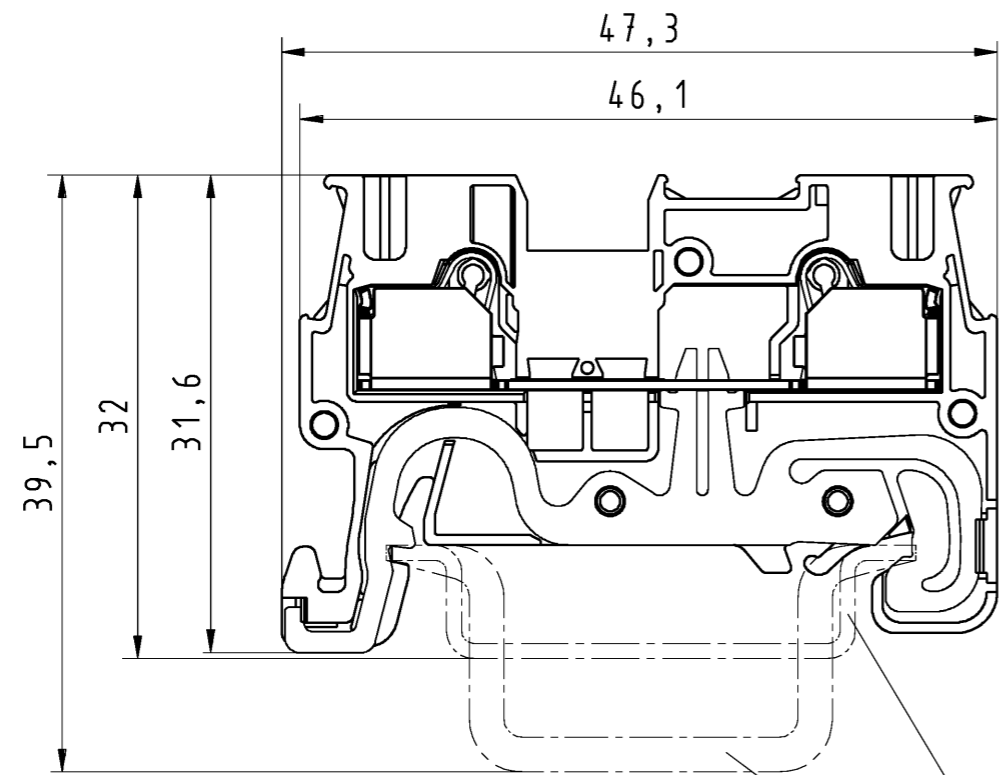
**Accessories**

Commercial Art.No.:	Article-type description:	Description:
07.313.4455.0	End plate AP WTP 1,5	End plate for DIN rail terminal blocks type WTP 1,5..., color: grey
07.313.4955.0	Partition TW WTP 1,5	Partition for DIN rail terminal blocks type WTP 1,5..., color: grey
Z7.284.7027.0	Jumper bar IVB WTP 1,5- 2	Cross connector, insulated for DIN rail terminal blocks type WTP 1,5, 2-pole
Z7.284.7127.0	Jumper bar IVB WTP 1,5- 3	Cross connector, insulated for DIN rail terminal blocks type WTP 1,5, 3-pole
Z7.284.7227.0	Jumper bar IVB WTP 1,5- 4	Cross connector, insulated for DIN rail terminal blocks type WTP 1,5, 4-pole
Z7.284.7327.0	Jumper bar IVB WTP 1,5- 5	Cross connector, insulated for DIN rail terminal blocks type WTP 1,5, 5-pole
Z7.284.7427.0	Jumper bar IVB WTP 1,5- 10	Cross connector, insulated for DIN rail terminal blocks type WTP 1,5, 10-pole
98.300.0000.0	Mounting rail TS 35x7,5 UNPERF - l:2000mm	Mounting rail TS 35, unslotted, size 7,5 mm, length 2 m, material steel. galv. zinc-plated and dichromated
98.300.1000.0	Mounting rail TS 35x7,5 PERF 15mm - l:2000mm	Mounting rail TS 35, slotted, size 7,5 mm, length 2 m, material steel. galv. zinc-plated and dichromated
98.300.1800.0	Mounting rail TS 35x7,5 PERF 18mm - l:2000mm	Mounting rail TS 35, slotted, size 7,5 mm, length 2 m, material steel. galv. zinc-plated and dichromated
98.300.1900.0	Mounting rail TS 35x7,5 PERF 25mm - l:2000mm	Mounting rail TS 35, slotted, size 7,5 mm, length 2 m, material steel. galv. zinc-plated and dichromated
98.360.0000.0	Mounting rail TS 35x15-2,3 UNPERF - l:2000mm	Mounting rail TS 35, unslotted, size 15 mm, length 2 m, material steel. galv. zinc-plated and dichromated
98.360.0004.0	Mounting rail TS 35x15-2,3 UNPERF FZN - l:2000mm	Mounting rail TS 35, unslotted, size 15 mm, length 2 m, material steel, hot galvanized
98.370.0000.0	Mounting rail TS 35x15 UNPERF - l:2000mm	Mounting rail TS 35, unslotted, size 15 mm, length 2 m, material steel. galv. zinc-plated and dichromated
98.370.1000.0	Mounting rail TS 35x15 PERF 15mm - l:2000mm	Mounting rail TS 35, slotted, size 15 mm, length 2 m, material steel. galv. zinc-plated and dichromated
98.380.0000.0	Mounting rail TS 35x15-2,3 UNPERF CU - l:2000mm	Mounting rail TS 35, unslotted, size 15 mm, length 2 m, material E copper
04.403.0056.0	Marking tags for DIN rail terminal blocks WMP 3,5 SI2KTB3590DW	Plate with marking tags for DIN rail terminal blocks with a width of 3.5mm, 75 tags per plate, tag size: 3x9.1mm, color: white, unmarked, markable with Wieprint printing-system

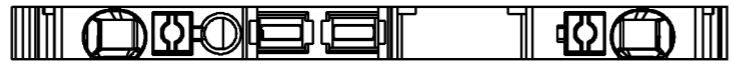
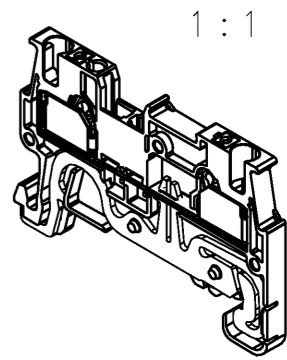
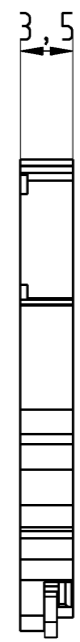
A  
These dimensions will be especially checked at delivery  
Only inspection dimensions  
With /E marked dimensions are only valid for internal use

C  
Diese Maße werden bei Abnahme besonders geprüft  
Ausschließlich Prüfmaße  
Mit /E gekennzeichnete Maße sind nur für interne Zwecke gültig

E  
F



Hutschiene EN 60715-35x7,5  
mounting rail EN 60715-35x7,5  
Hutschiene EN 60715-35x15  
mounting rail EN 60715-35x15



Weitere Daten siehe KATALOG oder eKatalog  
additional data see CATALOG or eCATALOG  
[www.wieland-electric.com](http://www.wieland-electric.com)  
[eshop.wieland-electric.com](http://eshop.wieland-electric.com)

Tolerierung Size ISO 14405 (E) / Tolerance system Size ISO 14405 (E). (This ISO-standard describes the envelope principle. According to the envelope principle the deviations of form and parallelism are limited by the size tolerances).		ja/yes <input checked="" type="checkbox"/> Stoffverbots- und Deklarationsliste nach WN 5020.010 ist einzuhalten. Conformity with Wieland document WN 5020.010 e (list of prohibited / declarable hazardous substances) to be declared!	
Freitoleranz nach General tolerance		CAD - Zeichnung, keine manuellen Änderungen CAD - drawing, no manual modifications allowed	
1. Verwendung: First Use:		Blatt: 1 von 1 Sheet: of	
Werkstoff / Material		Tag/Date	Name
Maßstab / Scale		gezeichnet drawn	20.01.2017 Hennemann V.
2:1		geprüft checked	
Vol. mm <sup>3</sup> Dfl./Srf. mm <sup>2</sup>		Ersatz für / Replacement for:	
www.wieland-electric.com		Type	Benennung/Title
Index Datum / Blatt Date / Sheet		WTP 15 PE	SCHUTZLEITERKLEMME ground housing
Änderung / Revision		Zeichnung Nr. / Drawing No. 56.202.9055.0 01K Maße in mm / Dimensions are in mm	

Weitergabe sowie Vervielfältigung dieses Dokuments, Verwertung und Mitteilung seines Inhalts sind verboten, soweit nicht ausdrücklich gestattet. Die Reproduktion, Distribution und Utilization of this document as well as the communication of its contents to others without express authorization is prohibited.