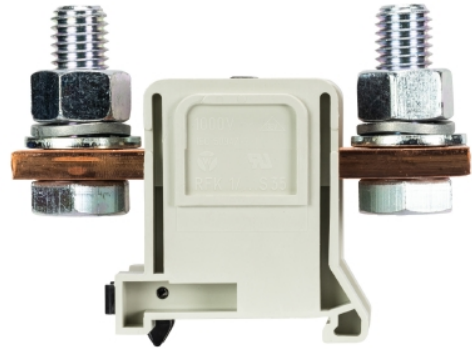


## Data sheet

Commercial Art.No.: 56.398.1055.0

Feed-through terminal RFK 1 / 185 FM S35/V0

Feed-through terminal with Screw connection for mounting on TS 35/7,5 mm, nominal cross section: 185 mm<sup>2</sup>, width: 42 mm, color: grey



Commercial Art.No.	56.398.1055.0
EAN	4015573568778
Order Unit	10

Certificates / Approvals



## Technical data

### General

Nominal cross section	185 mm <sup>2</sup>
Color	Grey
Number of levels	1
Number of clamp positions per level	2
Width/grid dimension	42 mm
Insulating housing	PA666
Inflammability class of insulation material acc. with UL94	V0
Explosion-tested version "Ex e"	No
Mounting method	DIN rail (top hat rail) 35/7.5 mm
Terminal blocks for electrical installations	No

### Technical data

Rated current	353 A
Rated voltage	1000 V
Rated impulse voltage	8 kV
Pollution degree	3
Closing plate required	No
Type of insulation material	Thermoplastic
Length	92 mm

### Connection Data

Connection type 1	screw connection
Connection type 2	screw connection
Maximum cross section fine stranded	185 mm <sup>2</sup>
Maximum cross section stranded	185 mm <sup>2</sup>

Torque conductor mounting	14 Nm
---------------------------	-------

**Technical Data UL/CSA**

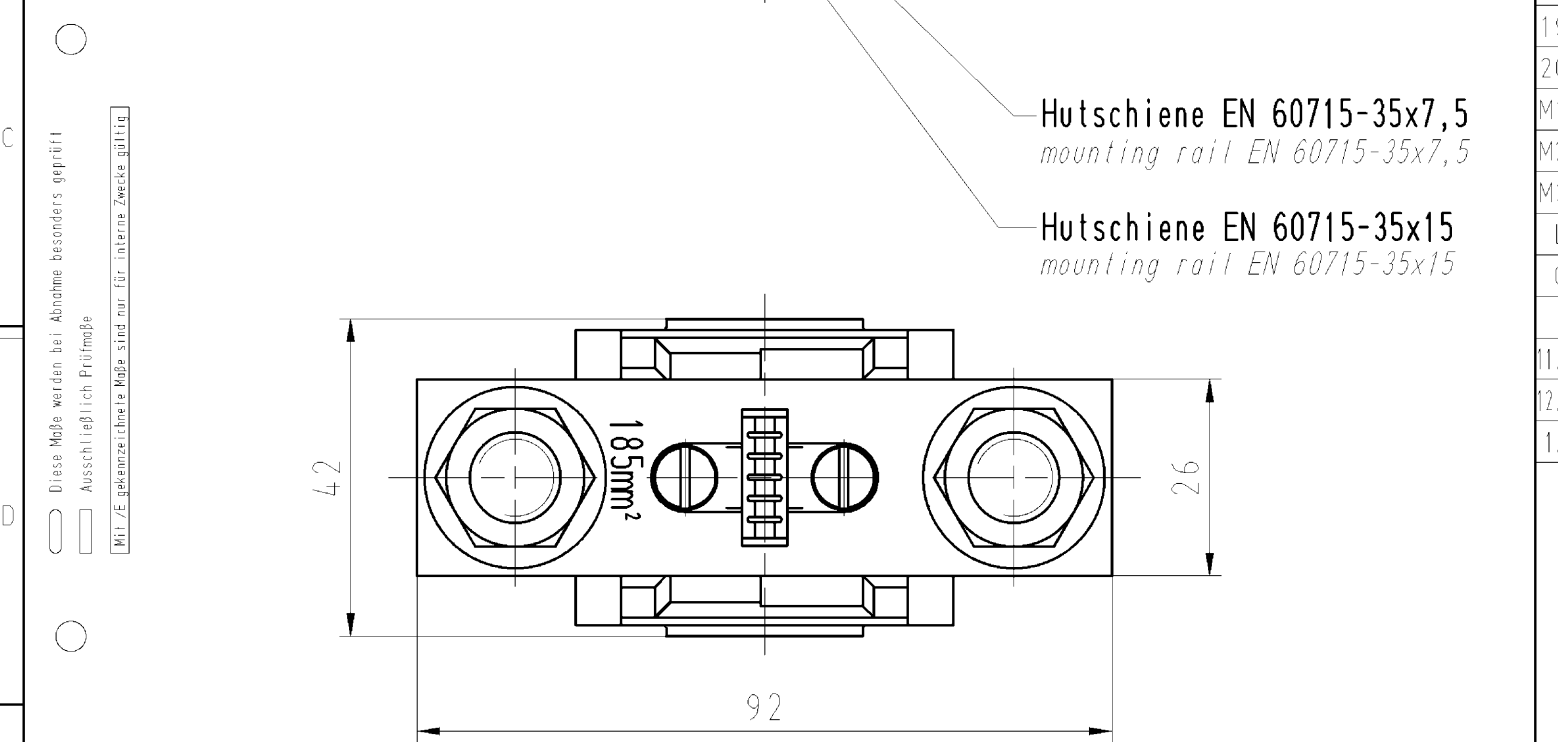
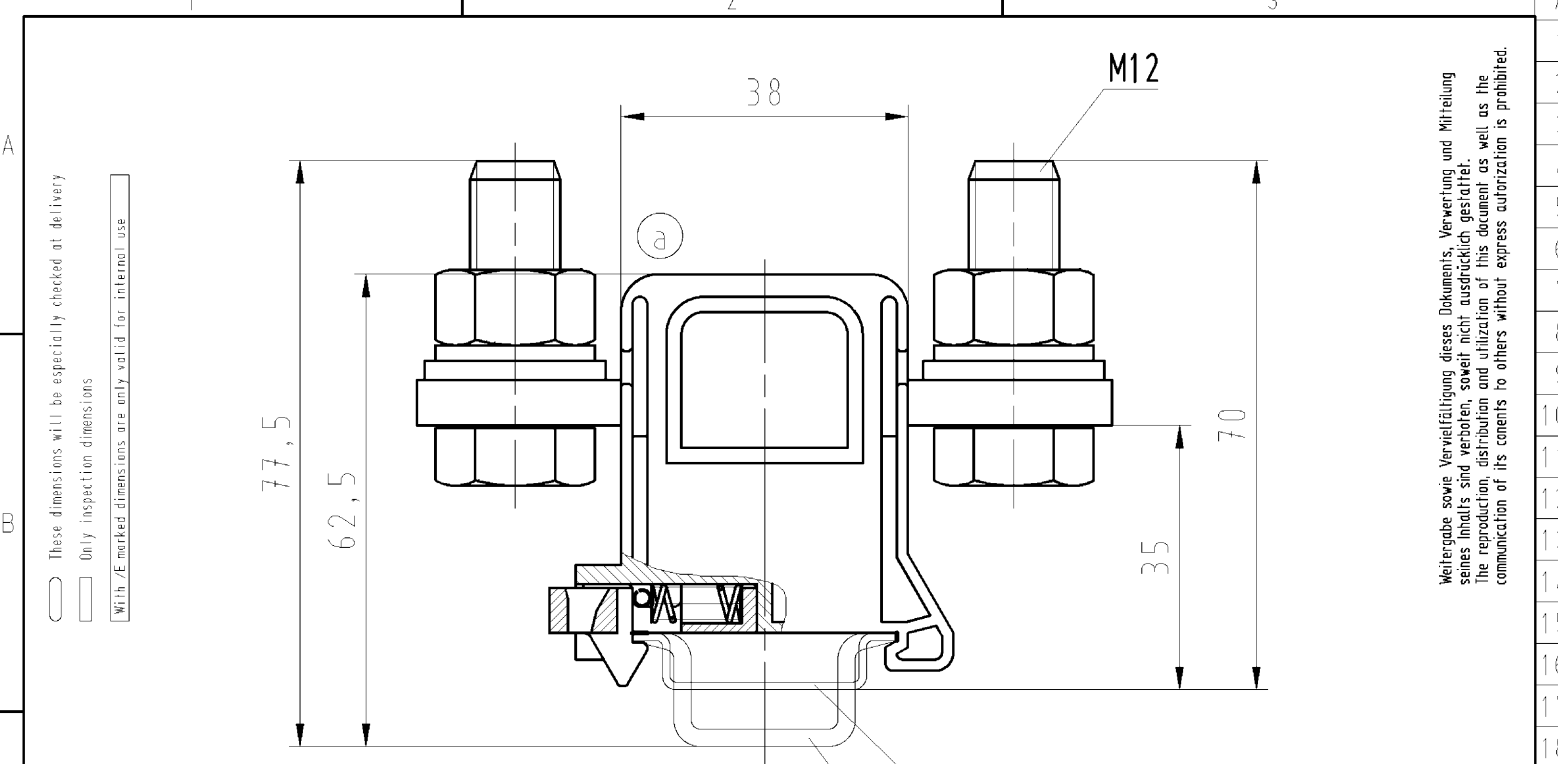
Cross section UL	0 AWG-400 kcmil
Voltage UL	600 V
Current factory wiring	375 A
Current field wiring	375 A
Cross section CSA	0 AWG-400 kcmil
Voltage CSA	600 V
Current CSA	375 A

**Classification**

ECLASS 11	
ECLASS 8.1	27141120
ETIM 7.0	EC000897
ETIM 6.0	EC000897
ETIM 5.0	EC000897
ETIM 4.0	EC000897
ETIM 3.0	EC000897

**Product compliance**

ROHS conformity status	Compliant
REACH-SVHC conformity status	Compliant



Weitere Daten siehe Katalog  
further data see catalog

Tolerierung Size ISO 14405(☉)/Tolerance system Size ISO 14405(☉).  
(This ISO-standard describes the envelope principle. According to the envelope principle the deviations of form and parallelism are limited by the size tolerances).

ja/yes  Stoffverbots- und Deklarationsliste nach UU-TQM-05/03 ist einzuhalten.  
Conformity with Wieland document UU-TQM-05/03 (list of prohibited / declarable hazardous substances) to be declared!

Freitoleranz nach DIN ISO 2768 - m

CAD - Zeichnung, keine manuellen Änderungen  
CAD - drawing, no manual modifications allowed

1. Verwendung: -  
First Use:

Blatt: 1 von 1  
Sheet: of 1

	/		Werkstoff/Material	2003	Tag/Date	Name	Zeichnung Nr./Drawing No.	Index
	/			gezeichnet drawn	17.04.	Schneiderb.		
	/	Maßstab/Scale	1:1	geprüft checked	-	-	Maße in mm/Dimensions are in mm	
	/			Vol.	mm <sup>3</sup>	Öfl./Surf.	mm <sup>2</sup>	Ersatz für/Replacement for: -
	/		wieland	Type	Benennung/Tittle			
a	28.08.2012/			Elektrische Verbindungen		RFK 1/185 FM S35/V0	REIHENFLACHKLEMME terminal	
Index	Datum / Blatt Date / Sheet							
Änderung/Revision								

Weitergabe sowie Vervielfältigung dieses Dokuments, Verwertung und Mitteilung seines Inhalts sind verboten, soweit nicht ausdrücklich gestattet. Die Reproduktion, Distribution und Utilization of this document as well as the communication of its contents to others without express authorization is prohibited.

563981055001K\_2 CADWZ036\_treschan 2012-08-28T14:05:36 1.000