

## Data sheet

Commercial Art.No.: X6.032.2053.1

Device connector RST20i3FXS2 M00V SW

RST20i3 device connector M20 with ATEX-authorization, 3 pole, male, spring clamp connection, modular, application 250V with PE, 20A, coding color black, color of housing black



|                    |               |
|--------------------|---------------|
| Commercial Art.No. | X6.032.2053.1 |
| EAN                | 4015573989023 |
| Order Unit         | 1             |

Certificates / Approvals

**SEV-Ex**

## Technical data

### Classification

|            |          |
|------------|----------|
| ECLASS 11  |          |
| ECLASS 8.1 | 27440602 |
| ETIM 7.0   | EC002566 |
| ETIM 6.0   | EC002566 |
| ETIM 5.0   | EC002566 |
| ETIM 4.0   | EC002566 |

### General

|  |                                  |
|--|----------------------------------|
| Rated current                          | 20 A                             |
| Rated voltage                          | 250 V                            |
| Pollution degree                       | 3                                |
| Rated impulse voltage                  | 4 kV                             |
| Lockable                               | self-locking (unlocking by tool) |
| Color of coding/ contact carrier       | black                            |
| Marking of poles                       | L, N, PE                         |
| Color of separate adapter (if present) | black                            |
| Explosion-tested version               | yes                              |

### Model

|   |                         |
|---|-------------------------|
| Model                                       | male                    |
| Connection type                             | spring clamp connection |
| Connecting thread metric                    | M20                     |
| Angle of plug                               | straight                |
| Degree of protection (IP)                   | IP66/68 (3m;2h) /IP69   |
| Thickness of housings (electrical device) 2 | 0.5 mm                  |

|   |      |
|---|------|
| Thickness of housings (electrical device) | 8 mm |
|---|------|

#### Material

|  |               |
|--|---------------|
| Housing material                             | Polyamide     |
| halogen free                                 | yes           |
| Contact material                             | CuZn          |
| Fire load                                    | 0.188 kWh     |
| Insulation components continuous temperature | 100 °C        |
| Surface finish                               | Silver-plated |

#### Connection Data

|   |                     |
|---|---------------------|
| Connection cross section solid mm <sup>2</sup> max.         | 2.5 mm <sup>2</sup> |
| Connection cross section solid mm <sup>2</sup> min.         | 1.5 mm <sup>2</sup> |
| Connection cross section fine stranded mm <sup>2</sup> min. | 1.5 mm <sup>2</sup> |
| Terminations per pole                                       | 2                   |
| Wire strip length   | 14.5 mm             |

#### Dimensions

|        |         |
|--------|---------|
| Length | 65.3 mm |
| Width  | 35 mm   |
| Height | 35 mm   |

#### Note

|      |   |
|------|---|
| Note | Fine stranded and stranded conductors require cable end sleeve;<br>Positioning realised with flattened thread |
|------|---|

#### Product compliance

|                              |                    |
|------------------------------|--------------------|
| ROHS conformity status       | Compliant/Exempted |
| ROHS exceptions              | III-6(c)           |
| REACH-SVHC conformity status | Duty-To-Declare    |
| REACH-SVHC substances        | Lead               |
| REACH-SVHC CAS numbers       | 7439-92-1          |

#### Accessories

| Commercial Art.No.: | Article-type description:                       | Description:  |
|---------------------|---|---|
| 06.502.4300.0       | screwdriver DIN 5264 A 0,4 X 2,5                | Screw driver according to DIN 5264 A, blade: 0.4x2.5 mm, long and straight version  |
| 95.101.1300.0       | ferrule crimping tool 0,08 - 10 mm <sup>2</sup> | Crimping tool for ferrules, wire strip length: 7-28 mm, nominal cross section: 0,08-10 mm <sup>2</sup> , length of tool: 180 mm |
| 06.600.3627.0       | ferrules DIN 46228-E1-12                        | RST end sleeve, for spring clamp contact, with insulating sleeve, for cross section 1.0 mm <sup>2</sup> /AWG17                  |
| 06.600.3727.0       | ferrules DIN 46228-E0,75-12                     | RST end sleeve, for spring clamp contact, with insulating sleeve, for cross section 0.75-1.0 mm <sup>2</sup> /AWG17             |
| 06.600.3827.0       | ferrules DIN 46228-E0,5-10                      | RST end sleeve, for spring clamp contact, with insulating sleeve, for cross section 0.5 mm <sup>2</sup> /AWG20                  |
| 06.600.3927.0       | ferrules DIN 46228-E1,5-12                      | RST end sleeve, for spring clamp contact, with insulating sleeve, for cross section 1.5 mm <sup>2</sup> /AWG16                  |

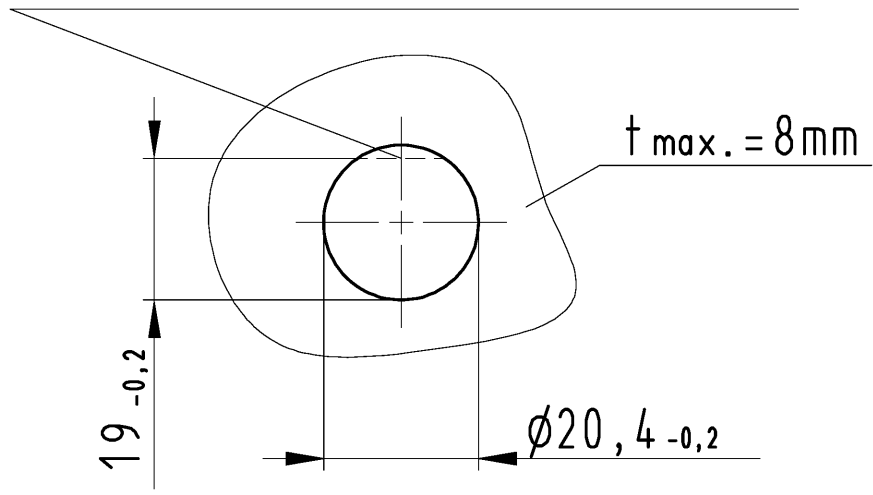
|               |                             |  |
|---------------|-----------------------------|--|
| 05.564.4453.1 | Cover for male connector SW | RST20i3/2 cover piece, for covering unused male connectors, color black                      |
| 99.416.6205.2 | Cover for male connector SW | RST20i3/2 cover piece, for covering unused male connectors, with fastening belt, color black |

### Fits with

| Commercial Art.No.: | Article-type description:    | Description:   |
|---------------------|------------------------------|--|
| X6.031.0053.1       | Connector RST20I3FXB2 ZR1 SW | RST20i3 connector with ATEX-authorization, 3 pole, female, spring clamp connection, application 250V with PE, 20A, for cable diameters 6-10mm, coding color black, color of housing black  |
| X6.031.0153.1       | Connector RST20I3FXB2 ZR2 SW | RST20i3 connector with ATEX-authorization, 3 pole, female, spring clamp connection, application 250V with PE, 20A, for cable diameters 10-14mm, coding color black, color of housing black |

M20 & M16 7°

wahlweise Verdrehsicherung  
optional protection against twisting



**Bitte beachten:**

Gehäusematerial, Wandstärken, Lackierung und Entgratung können die Passgenauigkeit beeinflussen.

**Please note:**

Panel material and thickness, deburring and coating thickness may influence the cut out dimension.

These dimensions will be especially checked at delivery  
Only inspection dimensions  
With /E marked dimensions are only valid for internal use

Diese Maße werden bei Abnahme besonders geprüft  
Ausschließlich Prüfmaße  
Mit /E gekennzeichnete Maße sind nur für interne Zwecke gültig

Weitergabe sowie Vervielfältigung dieses Dokuments, Verwertung und Mitteilung seines Inhalts sind verboten, soweit nicht ausdrücklich gestattet. Die Reproduktion, Distribution und Utilization of this document as well as the communication of its contents to others without express authorization is prohibited.

|   |                               |   |                           |   |                 |                                 |  |
|---|-------------------------------|---|---------------------------|---|-----------------|---------------------------------|--|
| Tolerierung Size ISO 14405(E)/Tolerance system Size ISO 14405(E).<br>(This ISO-standard describes the envelope principle. According to the envelope principle the deviations of form and parallelism are limited by the size tolerances). |                               |   |                           | ja/yes <input checked="" type="checkbox"/> Stoffverbots- und Deklarationsliste nach WN 5020.010 ist einzuhalten.<br>Conformity with Wieland document WN 5020.010 e (list of prohibited / declarable hazardous substances) to be declared! |                 |                                 |  |
| Freitoleranz nach<br>General tolerance  |                               | CAD - Zeichnung, keine manuellen Änderungen<br>CAD - drawing, no manual modifications allowed |                           | 1.Verwendung: -<br>First Use:   |                 | Blatt: 1 von 1<br>Sheet: 1 of 1 |  |
|   | /                             | Werkstoff/Material  | 2015                      | Tag/Date  | Name            | Zeichnung Nr./Drawing No.       |  |
|   | /                             |   | gezeichnet<br>drawn       | 11.06.  | Dütsch T.       | 96.031.2053.1 14K               |  |
|   | /                             |   | geprüft<br>checked        | -   | -               |                                 |  |
|   | /                             |   | Normgepr.<br>Stand. check | -   | -               | Maße in mm/Dimensions are in mm |  |
|   | /                             | Vol. mm³  | Of1./Surf. mm²            | Ersatz für/Replacement for: -   |                 |                                 |  |
|   | /                             | <br><b>wieland</b><br>www.wieland-electric.com  |                           | Type  | Benennung/Title |                                 |  |
|   | /                             |   |                           | <b>OPENING DIMENSION</b><br><b>OEFFNUNGSMASSBILD</b>  |                 |                                 |  |
|   | /                             |   |                           | Geräteanschluss / device connectors M20 & M16 7°  |                 |                                 |  |
| Index   | Datum / Blatt<br>Date / Sheet | Änderung/Revision   |                           |   |                 |                                 |  |