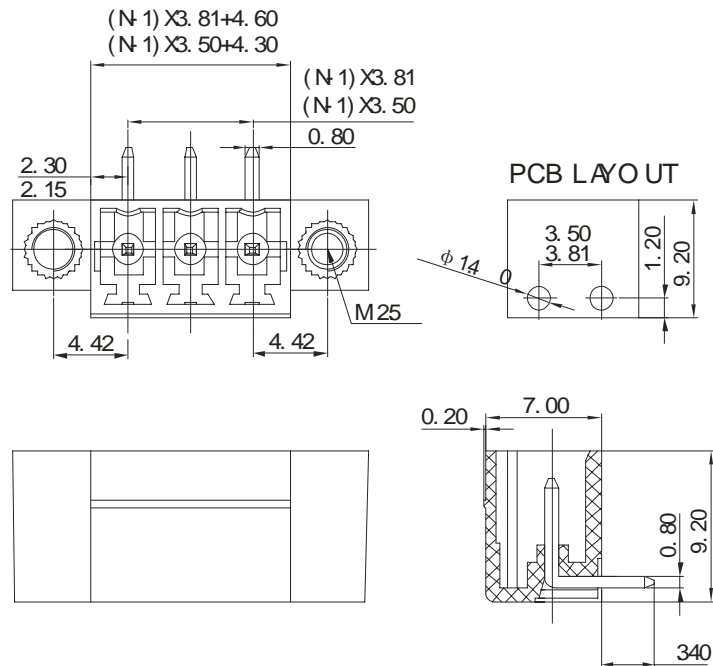
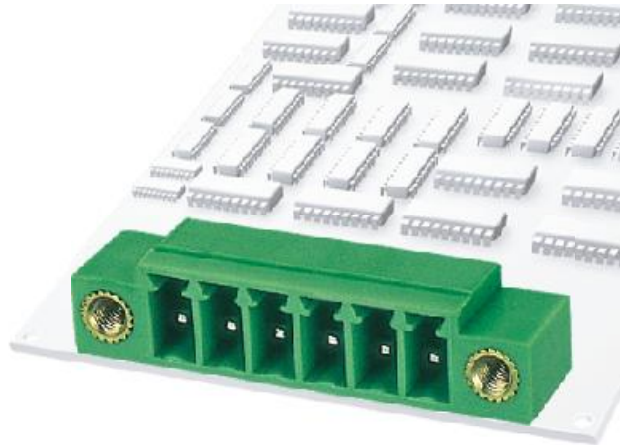


# 15EDGRM-3.5 15EDGRM-3.81



# Product Specification

<b>APPROVAL</b>		
<b>Electrical</b>		
Standard	<b>UL</b>	<b>IEC</b>
Rated voltage	300V	250V
Rated current	8A	7A
Rated impulse voltage	2.5KV	
<b>Mechanical</b>		
Ambient temperature	-40°C~+105 °C	
<b>Dimensions</b>		
Pitch	3.5mm(.138" ) 3.81mm(.150" )	
Poles	2P-20P	
<b>Material</b>		
Housing	PA66,UL94V-0	
Pin header	Brass,Tin-plated	
Nut	M2.5,Brass	

## HOW TO ORDER :

