

# LM1117/LM1117I

## 800mA Low-Dropout Linear Regulator

### General Description

The LM1117 is a series of low dropout voltage regulators with a dropout of 1.2V at 800mA of load current. It has the same pin-out as National Semiconductor's industry standard LM317.

The LM1117 is available in an adjustable version, which can set the output voltage from 1.25V to 13.8V with only two external resistors. In addition, it is also available in five fixed voltages, 1.8V, 2.5V, 2.85V, 3.3V, and 5V.

The LM1117 offers current limiting and thermal shutdown. Its circuit includes a zener trimmed bandgap reference to assure output voltage accuracy to within  $\pm 1\%$ .

The LM1117 series is available in SOT-223, TO-220, and TO-252 D-PAK packages. A minimum of 10 $\mu$ F tantalum capacitor is required at the output to improve the transient response and stability.

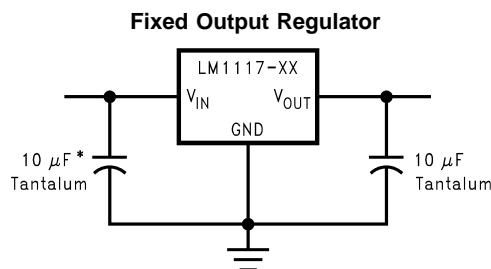
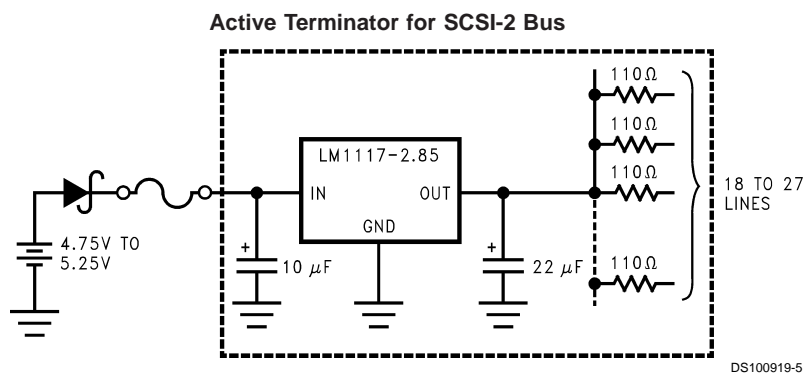
### Features

- Available in 1.8V, 2.5V, 2.85V, 3.3V, 5V, and Adjustable Versions
- Space Saving SOT-223 Package
- Current Limiting and Thermal Protection
- Output Current 800mA
- Line Regulation 0.2% (Max)
- Load Regulation 0.4% (Max)
- Temperature Range
  - LM1117 0°C to 125°C
  - LM1117I -40°C to 125°C

### Applications

- 2.85V Model for SCSI-2 Active Termination
- Post Regulator for Switching DC/DC Converter
- High Efficiency Linear Regulators
- Battery Charger
- Battery Powered Instrumentation

### Typical Application

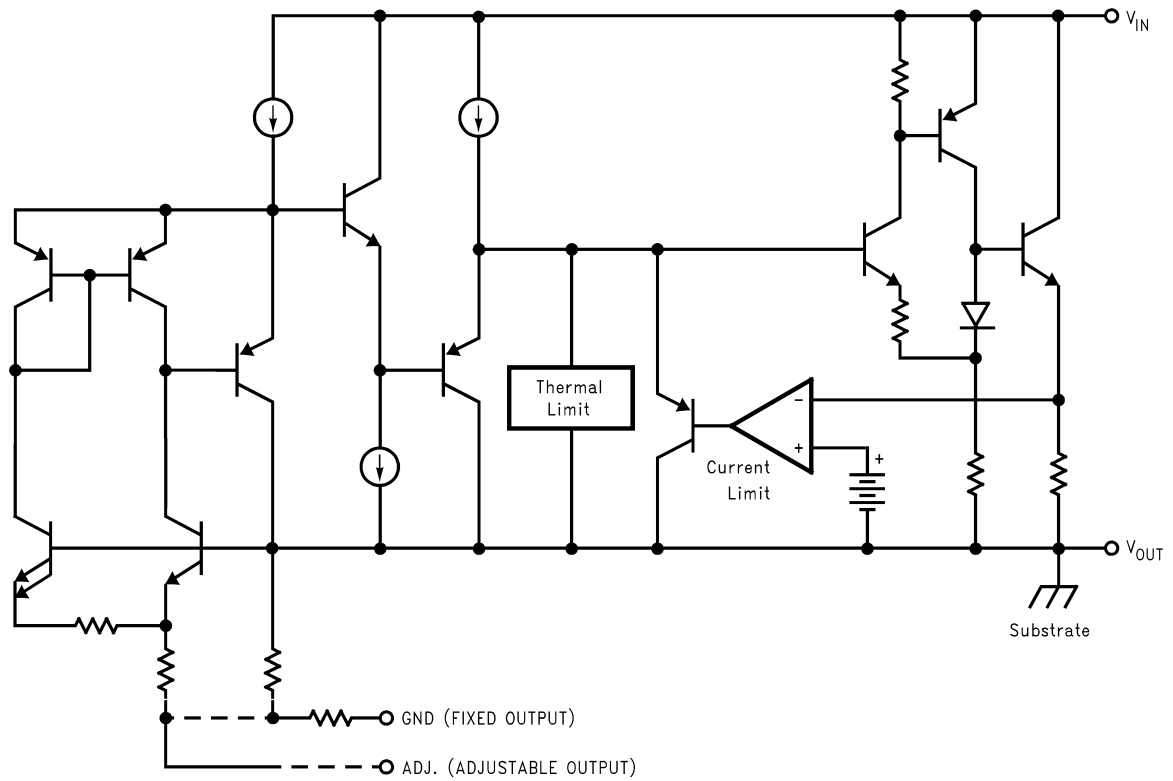


\* Required if the regulator is located far from the power supply filter.  
DS100919-28

## Ordering Information

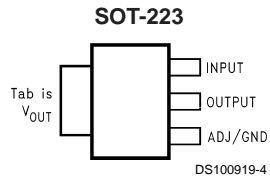
Package	Temperature Range	Part Number	Packaging Marking	Transport Media	NSC Drawing
3-lead SOT-223	0°C to +125°C	LM1117MPX-ADJ	N03A	Tape and Reel	MA04A
		LM1117MPX-1.8	N12A	Tape and Reel	
		LM1117MPX-2.5	N13A	Tape and Reel	
		LM1117MPX-2.85	N04A	Tape and Reel	
		LM1117MPX-3.3	N05A	Tape and Reel	
		LM1117MPX-5.0	N06A	Tape and Reel	
	-40°C to +125°C	LM1117IMPX-ADJ	N03B	Tape and Reel	
		LM1117IMPX-5.0	N06B	Tape and Reel	
3-lead TO-220	0°C to +125°C	LM1117T-ADJ	LM1117T-ADJ	Rails	T03B
		LM1117T-2.85	LM1117T-2.85	Rails	
		LM1117T-3.3	LM1117T-3.3	Rails	
		LM1117T-5.0	LM1117T-5.0	Rails	
3-lead TO-252	0°C to +125°C	LM1117DTX-ADJ	LM1117DT-ADJ	Tape and Reel	TD03B
		LM1117DTX-1.8	LM1117DT-1.8	Tape and Reel	
		LM1117DTX-2.5	LM1117DT-2.5	Tape and Reel	
		LM1117DTX-2.85	LM1117DT-2.85	Tape and Reel	
		LM1117DTX-3.3	LM1117DT-3.3	Tape and Reel	
		LM1117DTX-5.0	LM1117DT-5.0	Tape and Reel	
	-40°C to +125°C	LM1117IDTX-ADJ	LM1117IDT-ADJ	Tape and Reel	
		LM1117IDTX-5.0	LM1117IDT-5.0	Tape and Reel	

## Block Diagram

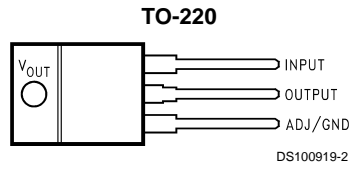


DS100919-1

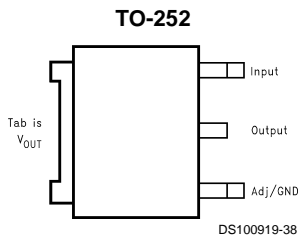
# Connection Diagrams



**Top View**



**Top View**



**Top View**

**Absolute Maximum Ratings** (Note 1)

If Military/Aerospace specified devices are required, please contact the National Semiconductor Sales Office/Distributors for availability and specifications.

Maximum Input Voltage ( $V_{IN}$ to GND)		
LM1117-ADJ, LM1117-1.8, LM1117-2.5, LM1117-3.3, LM1117-5.0, LM1117I-ADJ, LM1117I-5.0	20V	
Power Dissipation (Note 2)	Internally Limited	
Junction Temperature ( $T_J$ ) (Note 2)	150°C	
Storage Temperature Range	-65°C to 150°C	
Lead Temperature		
TO-220 (T) Package	260°C, 10 sec	

SOT-223 (IMP) Package

260°C, 4 sec

ESD Tolerance (Note 3)

2000V

**Operating Ratings** (Note 1)

Input Voltage ( $V_{IN}$ to GND)		
LM1117-ADJ, LM1117-1.8, LM1117-2.5, LM1117-3.3, LM1117-5.0, LM1117I-ADJ, LM1117I-5.0	15V	
LM1117-2.85	10V	
Junction Temperature Range ( $T_J$ )(Note 2)		
LM1117	0°C to 125°C	
LM1117I	-40°C to 125°C	

**LM1117 Electrical Characteristics**

Typicals and limits appearing in normal type apply for  $T_J = 25^\circ\text{C}$ . Limits appearing in **Boldface** type apply over the entire junction temperature range for operation, 0°C to 125°C.

Symbol	Parameter	Conditions	Min (Note 5)	Typ (Note 4)	Max (Note 5)	Units
$V_{REF}$	Reference Voltage	LM1117-ADJ $I_{OUT} = 10\text{mA}$ , $V_{IN}-V_{OUT} = 2\text{V}$ , $T_J = 25^\circ\text{C}$	1.238	1.250	1.262	V
		$10\text{mA} \leq I_{OUT} \leq 800\text{mA}$ , $1.4\text{V} \leq V_{IN}-V_{OUT} \leq 10\text{V}$	<b>1.225</b>	1.250	<b>1.270</b>	V
$V_{OUT}$	Output Voltage	LM1117-1.8 $I_{OUT} = 10\text{mA}$ , $V_{IN} = 3.8\text{V}$ , $T_J = 25^\circ\text{C}$ $0 \leq I_{OUT} \leq 800\text{mA}$ , $3.2\text{V} \leq V_{IN} \leq 10\text{V}$	1.782	1.800	1.818	V
			<b>1.746</b>	1.800	<b>1.854</b>	V
		LM1117-2.5 $I_{OUT} = 10\text{mA}$ , $V_{IN} = 4.5\text{V}$ , $T_J = 25^\circ\text{C}$ $0 \leq I_{OUT} \leq 800\text{mA}$ , $3.9\text{V} \leq V_{IN} \leq 10\text{V}$	2.475	2.500	2.525	V
			<b>2.450</b>	2.500	<b>2.550</b>	V
		LM1117-2.85 $I_{OUT} = 10\text{mA}$ , $V_{IN} = 4.85\text{V}$ , $T_J = 25^\circ\text{C}$ $0 \leq I_{OUT} \leq 800\text{mA}$ , $4.25\text{V} \leq V_{IN} \leq 10\text{V}$ $0 \leq I_{OUT} \leq 500\text{mA}$ , $V_{IN} = 4.10\text{V}$	2.820	2.850	2.880	V
			<b>2.790</b>	2.850	<b>2.910</b>	V
$\Delta V_{OUT}$	Line Regulation (Note 6)	LM1117-ADJ $I_{OUT} = 10\text{mA}$ , $1.5\text{V} \leq V_{IN}-V_{OUT} \leq 13.75\text{V}$		0.035	<b>0.2</b>	%
		LM1117-1.8 $I_{OUT} = 0\text{mA}$ , $3.2\text{V} \leq V_{IN} \leq 10\text{V}$		1	<b>6</b>	mV
		LM1117-2.5 $I_{OUT} = 0\text{mA}$ , $3.9\text{V} \leq V_{IN} \leq 10\text{V}$		1	<b>6</b>	mV
		LM1117-2.85 $I_{OUT} = 0\text{mA}$ , $4.25\text{V} \leq V_{IN} \leq 10\text{V}$		1	<b>6</b>	mV
		LM1117-3.3 $I_{OUT} = 0\text{mA}$ , $4.75\text{V} \leq V_{IN} \leq 15\text{V}$		1	<b>6</b>	mV
		LM1117-5.0 $I_{OUT} = 0\text{mA}$ , $6.5\text{V} \leq V_{IN} \leq 15\text{V}$		1	<b>10</b>	mV

## LM1117 Electrical Characteristics (Continued)

Typicals and limits appearing in normal type apply for  $T_J = 25^\circ\text{C}$ . Limits appearing in **Boldface** type apply over the entire junction temperature range for operation,  $0^\circ\text{C}$  to  $125^\circ\text{C}$ .

Symbol	Parameter	Conditions	Min (Note 5)	Typ (Note 4)	Max (Note 5)	Units
$\Delta V_{\text{OUT}}$	Load Regulation (Note 6)	LM1117-ADJ $V_{\text{IN}} - V_{\text{OUT}} = 3\text{V}$ , $10 \leq I_{\text{OUT}} \leq 800\text{mA}$		0.2	<b>0.4</b>	%
		LM1117-1.8 $V_{\text{IN}} = 3.2\text{V}$ , $0 \leq I_{\text{OUT}} \leq 800\text{mA}$		1	<b>10</b>	mV
		LM1117-2.5 $V_{\text{IN}} = 3.9\text{V}$ , $0 \leq I_{\text{OUT}} \leq 800\text{mA}$		1	<b>10</b>	mV
		LM1117-2.85 $V_{\text{IN}} = 4.25\text{V}$ , $0 \leq I_{\text{OUT}} \leq 800\text{mA}$		1	<b>10</b>	mV
		LM1117-3.3 $V_{\text{IN}} = 4.75\text{V}$ , $0 \leq I_{\text{OUT}} \leq 800\text{mA}$		1	<b>10</b>	mV
		LM1117-5.0 $V_{\text{IN}} = 6.5\text{V}$ , $0 \leq I_{\text{OUT}} \leq 800\text{mA}$		1	<b>15</b>	mV
		$V_{\text{IN}} - V_{\text{OUT}}$	Dropout Voltage (Note 7)	$I_{\text{OUT}} = 100\text{mA}$		1.10
$I_{\text{OUT}} = 500\text{mA}$				1.15	<b>1.25</b>	V
$I_{\text{OUT}} = 800\text{mA}$				1.20	<b>1.30</b>	V
$I_{\text{LIMIT}}$	Current Limit	$V_{\text{IN}} - V_{\text{OUT}} = 5\text{V}$ , $T_J = 25^\circ\text{C}$	800	1200	1500	mA
	Minimum Load Current (Note 8)	LM1117-ADJ $V_{\text{IN}} = 15\text{V}$		1.7	<b>5</b>	mA
	Quiescent Current	LM1117-1.8 $V_{\text{IN}} \leq 15\text{V}$		5	<b>10</b>	mA
		LM1117-2.5 $V_{\text{IN}} \leq 15\text{V}$		5	<b>10</b>	mA
		LM1117-2.85 $V_{\text{IN}} \leq 10\text{V}$		5	<b>10</b>	mA
		LM1117-3.3 $V_{\text{IN}} \leq 15\text{V}$		5	<b>10</b>	mA
		LM1117-5.0 $V_{\text{IN}} \leq 15\text{V}$		5	<b>10</b>	mA
	Thermal Regulation	$T_A = 25^\circ\text{C}$ , 30ms Pulse		0.01	0.1	%/W
	Ripple Regulation	$f_{\text{RIPPLE}} = 1\text{ 20Hz}$ , $V_{\text{IN}} - V_{\text{OUT}} = 3\text{V}$ $V_{\text{RIPPLE}} = 1V_{\text{PP}}$	<b>60</b>	75		dB
	Adjust Pin Current			60	<b>120</b>	$\mu\text{A}$
	Adjust Pin Current Change	$10 \leq I_{\text{OUT}} \leq 800\text{mA}$ , $1.4\text{V} \leq V_{\text{IN}} - V_{\text{OUT}} \leq 10\text{V}$		0.2	<b>5</b>	$\mu\text{A}$
	Temperature Stability			0.5		%
	Long Term Stability	$T_A = 125^\circ\text{C}$ , 1000Hrs		0.3		%
	RMS Output Noise	(% of $V_{\text{OUT}}$ ), $10\text{Hz} \leq f \leq 10\text{kHz}$		0.003		%
	Thermal Resistance Junction-to-Case	3-Lead SOT-223		15.0		$^\circ\text{C/W}$
		3-Lead TO-220		3.0		$^\circ\text{C/W}$
		3-Lead TO-252		10		$^\circ\text{C/W}$
	Thermal Resistance Junction-to-Ambient (No heat sink; No air flow)	3-Lead SOT-223		136		$^\circ\text{C/W}$
		3-Lead TO-220		79		$^\circ\text{C/W}$
		3-Lead TO-252 (Note 9)		92		$^\circ\text{C/W}$

## LM1117I Electrical Characteristics

Typicals and limits appearing in normal type apply for  $T_J = 25^\circ\text{C}$ . Limits appearing in **Boldface** type apply over the entire junction temperature range for operation,  $-40^\circ\text{C}$  to  $125^\circ\text{C}$ .

Symbol	Parameter	Conditions	Min (Note 5)	Typ (Note 4)	Max (Note 5)	Units
$V_{\text{REF}}$	Reference Voltage	LM1117I-ADJ $I_{\text{OUT}} = 10\text{mA}$ , $V_{\text{IN}} - V_{\text{OUT}} = 2\text{V}$ , $T_J = 25^\circ\text{C}$	1.238	1.250	1.262	V
		$10\text{mA} \leq I_{\text{OUT}} \leq 800\text{mA}$ , $1.4\text{V} \leq V_{\text{IN}} - V_{\text{OUT}} \leq 10\text{V}$	<b>1.200</b>	1.250	<b>1.290</b>	V
$V_{\text{OUT}}$	Output Voltage	LM1117I-5.0 $I_{\text{OUT}} = 10\text{mA}$ , $V_{\text{IN}} = 7\text{V}$ , $T_J = 25^\circ\text{C}$	4.950	5.000	5.050	V
		$0 \leq I_{\text{OUT}} \leq 800\text{mA}$ , $6.5\text{V} \leq V_{\text{IN}} \leq 12\text{V}$	<b>4.800</b>	5.000	<b>5.200</b>	V
$\Delta V_{\text{OUT}}$	Line Regulation (Note 6)	LM1117I-ADJ $I_{\text{OUT}} = 10\text{mA}$ , $1.5\text{V} \leq V_{\text{IN}} - V_{\text{OUT}} \leq 13.75\text{V}$		0.035	<b>0.3</b>	%
		LM1117I-5.0 $I_{\text{OUT}} = 0\text{mA}$ , $6.5\text{V} \leq V_{\text{IN}} \leq 15\text{V}$		1	<b>15</b>	mV
$\Delta V_{\text{OUT}}$	Load Regulation (Note 6)	LM1117I-ADJ $V_{\text{IN}} - V_{\text{OUT}} = 3\text{V}$ , $10 \leq I_{\text{OUT}} \leq 800\text{mA}$		0.2	<b>0.5</b>	%
		LM1117I-5.0 $V_{\text{IN}} = 6.5\text{V}$ , $0 \leq I_{\text{OUT}} \leq 800\text{mA}$		1	<b>20</b>	mV
$V_{\text{IN}} - V_{\text{OUT}}$	Dropout Voltage (Note 7)	$I_{\text{OUT}} = 100\text{mA}$		1.10	<b>1.30</b>	V
		$I_{\text{OUT}} = 500\text{mA}$		1.15	<b>1.35</b>	V
		$I_{\text{OUT}} = 800\text{mA}$		1.20	<b>1.40</b>	V
$I_{\text{LIMIT}}$	Current Limit	$V_{\text{IN}} - V_{\text{OUT}} = 5\text{V}$ , $T_J = 25^\circ\text{C}$	800	1200	1500	mA
	Minimum Load Current (Note 8)	LM1117I-ADJ $V_{\text{IN}} = 15\text{V}$		1.7	<b>5</b>	mA
	Quiescent Current	LM1117I-5.0 $V_{\text{IN}} \leq 15\text{V}$		5	<b>15</b>	mA
	Thermal Regulation	$T_A = 25^\circ\text{C}$ , 30ms Pulse		0.01	0.1	%/W
	Ripple Regulation	$f_{\text{RIPPLE}} = 1\text{ 20Hz}$ , $V_{\text{IN}} - V_{\text{OUT}} = 3\text{V}$ $V_{\text{RIPPLE}} = 1\text{V}_{\text{PP}}$	<b>60</b>	75		dB
	Adjust Pin Current			60	<b>120</b>	$\mu\text{A}$
	Adjust Pin Current Change	$10 \leq I_{\text{OUT}} \leq 800\text{mA}$ , $1.4\text{V} \leq V_{\text{IN}} - V_{\text{OUT}} \leq 10\text{V}$		0.2	<b>10</b>	$\mu\text{A}$
	Temperature Stability			0.5		%
	Long Term Stability	$T_A = 125^\circ\text{C}$ , 1000Hrs		0.3		%
	RMS Output Noise	(% of $V_{\text{OUT}}$ ), $10\text{Hz} \leq f \leq 10\text{kHz}$		0.003		%
	Thermal Resistance Junction-to-Case	3-Lead SOT-223		15.0		$^\circ\text{C/W}$
		-Lead TO-252		10		$^\circ\text{C/W}$
	Thermal Resistance Junction-to-Ambient (No heat sink; No air flow)	3-Lead SOT-223		136		$^\circ\text{C/W}$
		3-Lead TO-252 (Note 9)		92		$^\circ\text{C/W}$

**Note 1:** Absolute Maximum Ratings indicate limits beyond which damage to the device may occur. Operating Ratings indicate conditions for which the device is intended to be functional, but specific performance is not guaranteed. For guaranteed specifications and the test conditions, see the Electrical Characteristics.

**Note 2:** The maximum power dissipation is a function of  $T_{J(\text{max})}$ ,  $\theta_{JA}$ , and  $T_A$ . The maximum allowable power dissipation at any ambient temperature is  $P_D = (T_{J(\text{max})} - T_A) / \theta_{JA}$ . All numbers apply for packages soldered directly into a PC board.

**Note 3:** For testing purposes, ESD was applied using human body model,  $1.5\text{k}\Omega$  in series with  $100\text{pF}$ .

**Note 4:** Typical Values represent the most likely parametric norm.

**Note 5:** All limits are guaranteed by testing or statistical analysis.

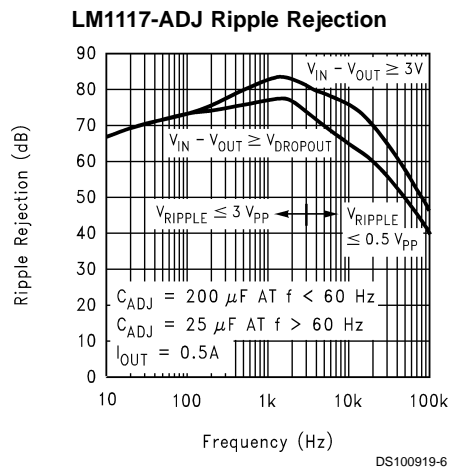
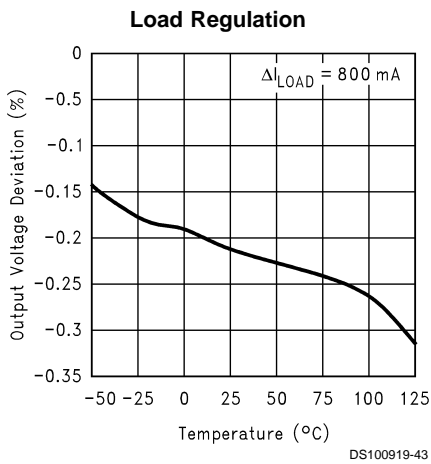
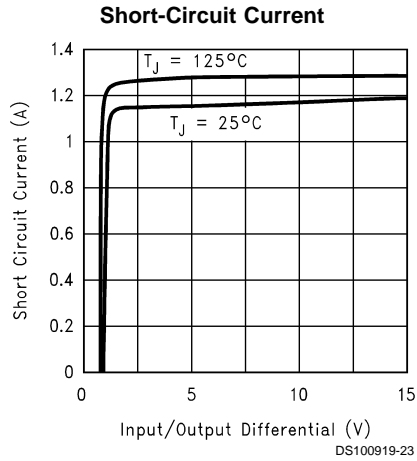
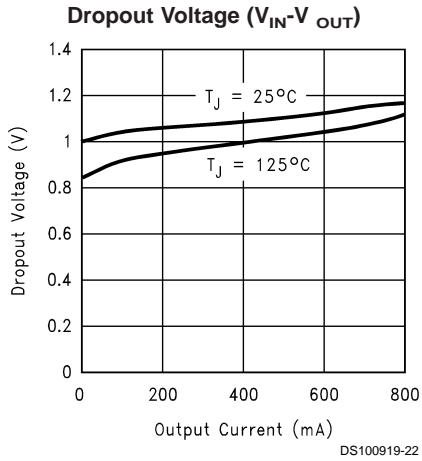
**Note 6:** Load and line regulation are measured at constant junction room temperature.

**Note 7:** The dropout voltage is the input/output differential at which the circuit ceases to regulate against further reduction in input voltage. It is measured when the output voltage has dropped  $100\text{mV}$  from the nominal value obtained at  $V_{\text{IN}} = V_{\text{OUT}} + 1.5\text{V}$ .

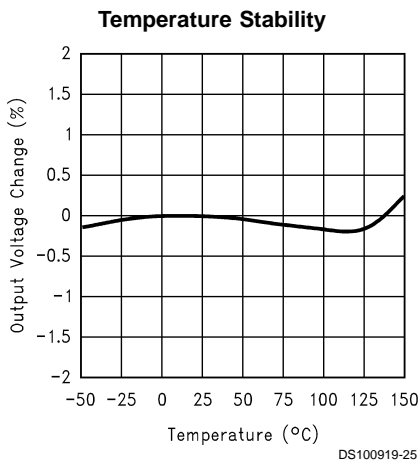
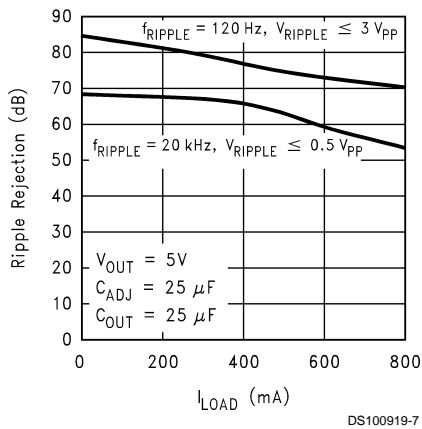
**Note 8:** The minimum output current required to maintain regulation.

**Note 9:** Minimum pad size of  $0.038\text{in}^2$

# Typical Performance Characteristics

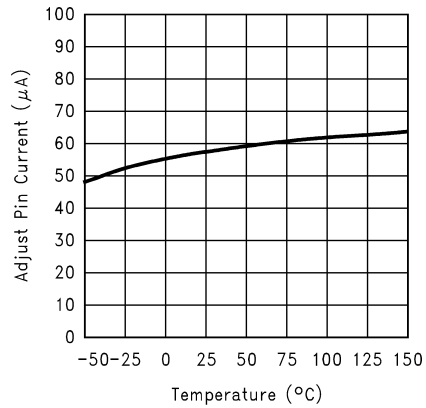


### LM1117-ADJ Ripple Rejection vs. Current



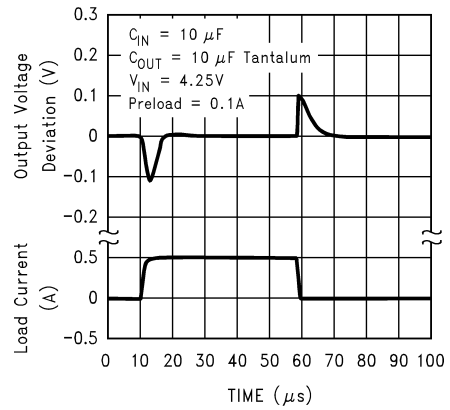
# Typical Performance Characteristics (Continued)

**Adjust Pin Current**



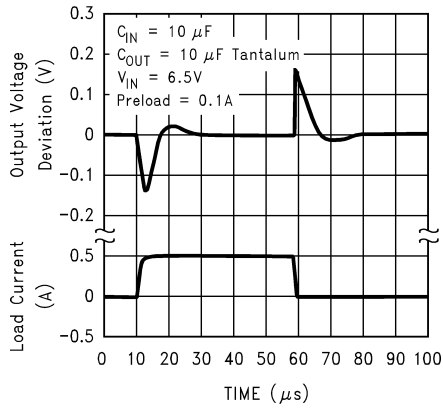
DS100919-26

**LM1117-2.85 Load Transient Response**



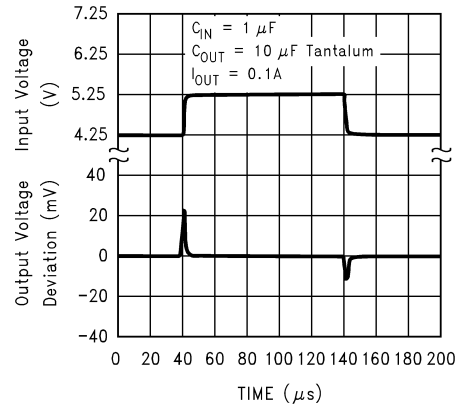
DS100919-8

**LM1117-5.0 Load Transient Response**



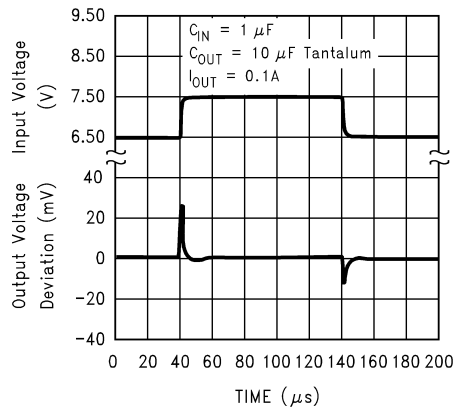
DS100919-9

**LM1117-2.85 Line Transient Response**



DS100919-10

**LM1117-5.0 Line Transient Response**



DS100919-11



## APPLICATION NOTE

### 1.0 External Capacitors/Stability

#### 1.1 Input Bypass Capacitor

An input capacitor is recommended. A 10 $\mu$ F tantalum on the input is a suitable input bypassing for almost all applications.

#### 1.2 Adjust Terminal Bypass Capacitor

The adjust terminal can be bypassed to ground with a bypass capacitor ( $C_{ADJ}$ ) to improve ripple rejection. This bypass capacitor prevents ripple from being amplified as the output voltage is increased. At any ripple frequency, the impedance of the  $C_{ADJ}$  should be less than  $R1$  to prevent the ripple from being amplified:

$$(2\pi f_{RIPPLE} * C_{ADJ}) < R1$$

The  $R1$  is the resistor between the output and the adjust pin. Its value is normally in the range of 100-200 $\Omega$ . For example, with  $R1=124\Omega$  and  $f_{RIPPLE}=120\text{Hz}$ , the  $C_{ADJ}$  should be  $> 11\mu\text{F}$ .

#### 1.3 Output Capacitor

The output capacitor is critical in maintaining regulator stability, and must meet the required conditions for both minimum amount of capacitance and ESR (Equivalent Series Resistance). The minimum output capacitance required by the LM1117 is 10 $\mu\text{F}$ , if a tantalum capacitor is used. Any increase of the output capacitance will merely improve the loop stability and transient response. The ESR of the output capacitor should be greater than 0.5 $\Omega$  and less than 5 $\Omega$ . In the case of the adjustable regulator, when the  $C_{ADJ}$  is used, a larger output capacitance (22 $\mu\text{F}$  tantalum) is required.

### 2.0 Output Voltage

The LM1117 adjustable version develops a 1.25V reference voltage,  $V_{REF}$ , between the output and the adjust terminal. As shown in *Figure 1*, this voltage is applied across resistor  $R1$  to generate a constant current  $I1$ . The current  $I_{ADJ}$  from the adjust terminal could introduce error to the output. But since it is very small (60 $\mu\text{A}$ ) compared with the  $I1$  and very constant with line and load changes, the error can be ignored. The constant current  $I1$  then flows through the output set resistor  $R2$  and sets the output voltage to the desired level.

For fixed voltage devices,  $R1$  and  $R2$  are integrated inside the devices.

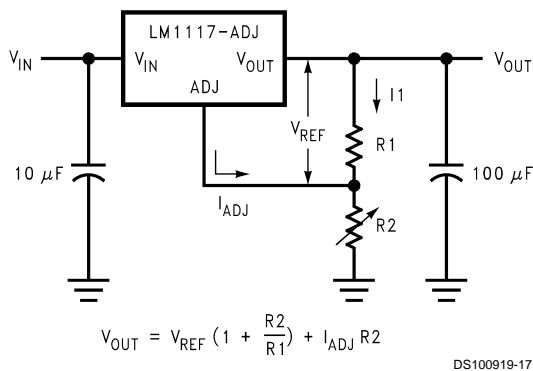


FIGURE 1. Basic Adjustable Regulator

### 3.0 Load Regulation

The LM1117 regulates the voltage that appears between its output and ground pins, or between its output and adjust pins. In some cases, line resistances can introduce errors to the voltage across the load. To obtain the best load regulation, a few precautions are needed.

*Figure 2*, shows a typical application using a fixed output regulator. The  $Rt1$  and  $Rt2$  are the line resistances. It is obvious that the  $V_{LOAD}$  is less than the  $V_{OUT}$  by the sum of the voltage drops along the line resistances. In this case, the load regulation seen at the  $R_{LOAD}$  would be degraded from the data sheet specification. To improve this, the load should be tied directly to the output terminal on the positive side and directly tied to the ground terminal on the negative side.

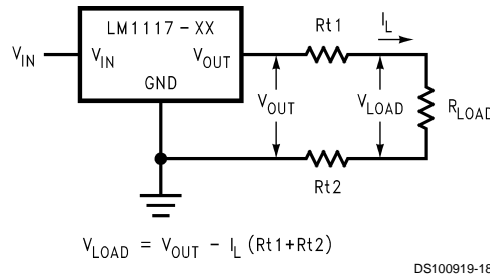


FIGURE 2. Typical Application using Fixed Output Regulator

When the adjustable regulator is used (*Figure 3*), the best performance is obtained with the positive side of the resistor  $R1$  tied directly to the output terminal of the regulator rather than near the load. This eliminates line drops from appearing effectively in series with the reference and degrading regulation. For example, a 5V regulator with 0.05 $\Omega$  resistance between the regulator and load will have a load regulation due to line resistance of 0.05 $\Omega$  x  $I_L$ . If  $R1$  (=125 $\Omega$ ) is connected near the load, the effective line resistance will be 0.05 $\Omega$  (1+ $R2/R1$ ) or in this case, it is 4 times worse. In addition, the ground side of the resistor  $R2$  can be returned near the ground of the load to provide remote ground sensing and improve load regulation.

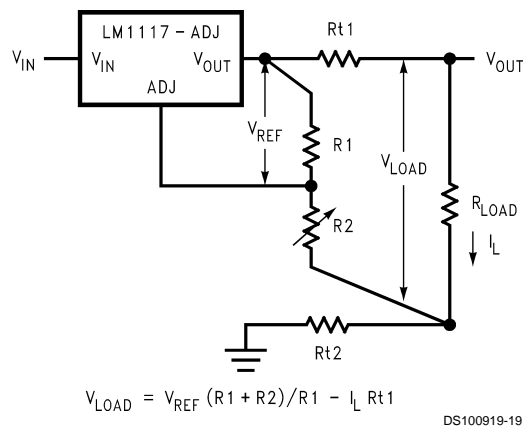


FIGURE 3. Best Load Regulation using Adjustable Output Regulator

### 4.0 Protection Diodes

Under normal operation, the LM1117 regulators do not need any protection diode. With the adjustable device, the internal resistance between the adjust and output terminals limits the current. No diode is needed to divert the current around the regulator even with capacitor on the adjust terminal. The adjust pin can take a transient signal of  $\pm 25\text{V}$  with respect to the output voltage without damaging the device.

When an output capacitor is connected to a regulator and the input is shorted to ground, the output capacitor will discharge

## APPLICATION NOTE (Continued)

into the output of the regulator. The discharge current depends on the value of the capacitor, the output voltage of the regulator, and rate of decrease of  $V_{IN}$ . In the LM1117 regulators, the internal diode between the output and input pins can withstand microsecond surge currents of 10A to 20A. With an extremely large output capacitor ( $\geq 1000 \mu\text{F}$ ), and with input instantaneously shorted to ground, the regulator could be damaged.

In this case, an external diode is recommended between the output and input pins to protect the regulator, as shown in Figure 4.

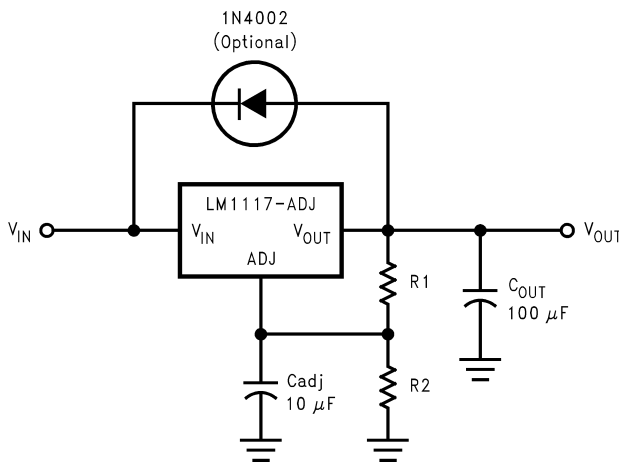


FIGURE 4. Regulator with Protection Diode

### 5.0 Heatsink Requirements

When an integrated circuit operates with an appreciable current, its junction temperature is elevated. It is important to quantify its thermal limits in order to achieve acceptable performance and reliability. This limit is determined by summing the individual parts consisting of a series of temperature rises from the semiconductor junction to the operating environment. A one-dimensional steady-state model of conduction heat transfer is demonstrated in Figure 5. The heat generated at the device junction flows through the die to the die attach pad, through the lead frame to the surrounding case material, to the printed circuit board, and eventually to the ambient environment. Below is a list of variables that may affect the thermal resistance and in turn the need for a heatsink.

$R^{\theta\text{JC}}$ (Component Variables)	$R^{\theta\text{CA}}$ (Application Variables)
Leadframe Size & Material	Mounting Pad Size, Material, & Location
No. of Conduction Pins	Placement of Mounting Pad
Die Size	PCB Size & Material
Die Attach Material	Traces Length & Width
Molding Compound Size and Material	Adjacent Heat Sources
	Volume of Air
	Ambient Temperature
	Shape of Mounting Pad

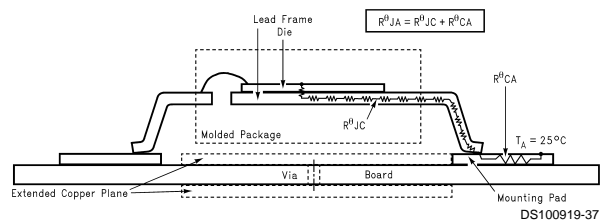


FIGURE 5. Cross-sectional view of Integrated Circuit Mounted on a printed circuit board. Note that the case temperature is measured at the point where the leads contact with the mounting pad surface

The LM1117 regulators have internal thermal shutdown to protect the device from over-heating. Under all possible operating conditions, the junction temperature of the LM1117 must be within the range of 0°C to 125°C. A heatsink may be required depending on the maximum power dissipation and maximum ambient temperature of the application. To determine if a heatsink is needed, the power dissipated by the regulator,  $P_D$ , must be calculated:

$$I_{IN} = I_L + I_G$$

$$P_D = (V_{IN} - V_{OUT}) I_L + V_{IN} I_G$$

Figure 6 shows the voltages and currents which are present in the circuit.

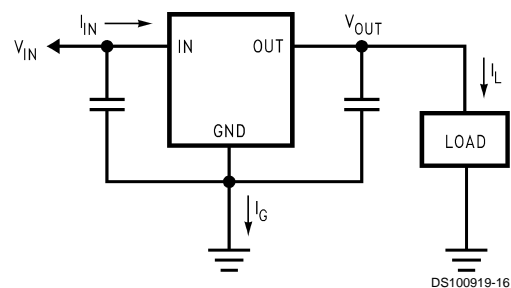


FIGURE 6. Power Dissipation Diagram

**APPLICATION NOTE** (Continued)

The next parameter which must be calculated is the maximum allowable temperature rise,  $T_R(\text{max})$ :

$$T_R(\text{max}) = T_J(\text{max}) - T_A(\text{max})$$

where  $T_J(\text{max})$  is the maximum allowable junction temperature (125°C), and  $T_A(\text{max})$  is the maximum ambient temperature which will be encountered in the application.

Using the calculated values for  $T_R(\text{max})$  and  $P_D$ , the maximum allowable value for the junction-to-ambient thermal resistance ( $\theta_{JA}$ ) can be calculated:

$$\theta_{JA} = T_R(\text{max})/P_D$$

If the maximum allowable value for  $\theta_{JA}$  is found to be  $\geq 136^\circ\text{C/W}$  for SOT-223 package or  $\geq 79^\circ\text{C/W}$  for TO-220 package or  $\geq 92^\circ\text{C/W}$  for TO-252 package, no heatsink is

needed since the package alone will dissipate enough heat to satisfy these requirements. If the calculated value for  $\theta_{JA}$  falls below these limits, a heatsink is required.

As a design aid, *Table 1* shows the value of the  $\theta_{JA}$  of SOT-223 and TO-252 for different heatsink area. The copper patterns that we used to measure these  $\theta_{JA}$ s are shown at the end of the Application Notes Section. *Figure 7* and *Figure 8* reflects the same test results as what are in the *Table 1*

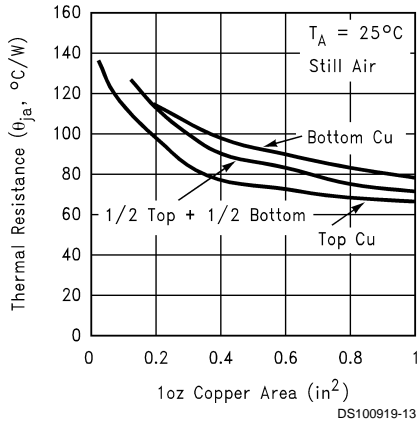
*Figure 9* and *Figure 10* shows the maximum allowable power dissipation vs. ambient temperature for the SOT-223 and TO-252 device. Figures *Figure 11* and *Figure 12* shows the maximum allowable power dissipation vs. copper area (in<sup>2</sup>) for the SOT-223 and TO-252 devices. Please see AN1028 for power enhancement techniques to be used with SOT-223 and TO-252 packages.

**TABLE 1.  $\theta_{JA}$  Different Heatsink Area**

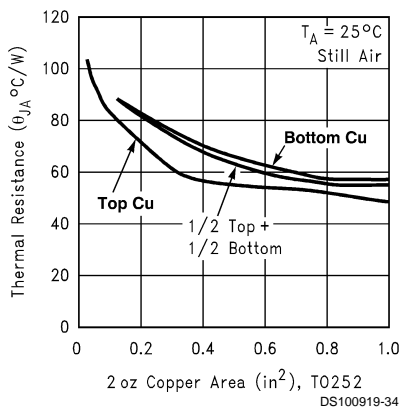
Layout	Copper Area		Thermal Resistance	
	Top Side (in <sup>2</sup> )*	Bottom Side (in <sup>2</sup> )	( $\theta_{JA}$ , °C/W) SOT-223	( $\theta_{JA}$ , °C/W) TO-252
1	0.0123	0	136	103
2	0.066	0	123	87
3	0.3	0	84	60
4	0.53	0	75	54
5	0.76	0	69	52
6	1	0	66	47
7	0	0.2	115	84
8	0	0.4	98	70
9	0	0.6	89	63
10	0	0.8	82	57
11	0	1	79	57
12	0.066	0.066	125	89
13	0.175	0.175	93	72
14	0.284	0.284	83	61
15	0.392	0.392	75	55
16	0.5	0.5	70	53

\*Tab of device attached to topside copper

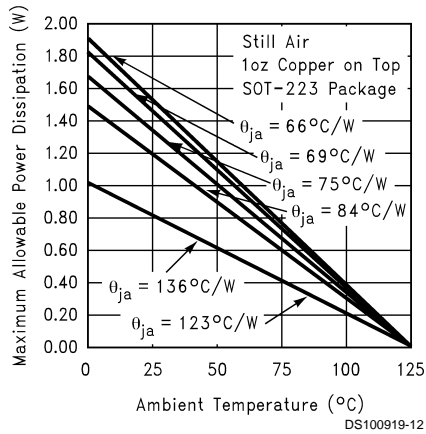
**APPLICATION NOTE** (Continued)



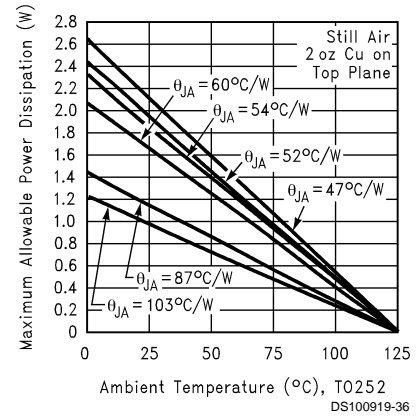
**FIGURE 7.**  $\theta_{JA}$  vs. 1oz Copper Area for SOT-223



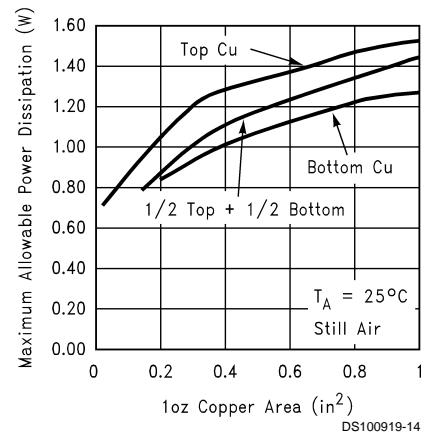
**FIGURE 8.**  $\theta_{JA}$  vs. 2oz Copper Area for TO-252



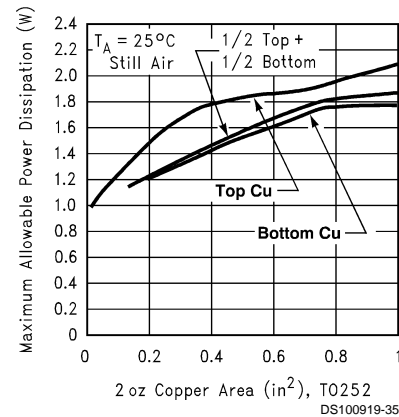
**FIGURE 9.** Maximum Allowable Power Dissipation vs. Ambient Temperature for SOT-223



**FIGURE 10.** Maximum Allowable Power Dissipation vs. Ambient Temperature for TO-252

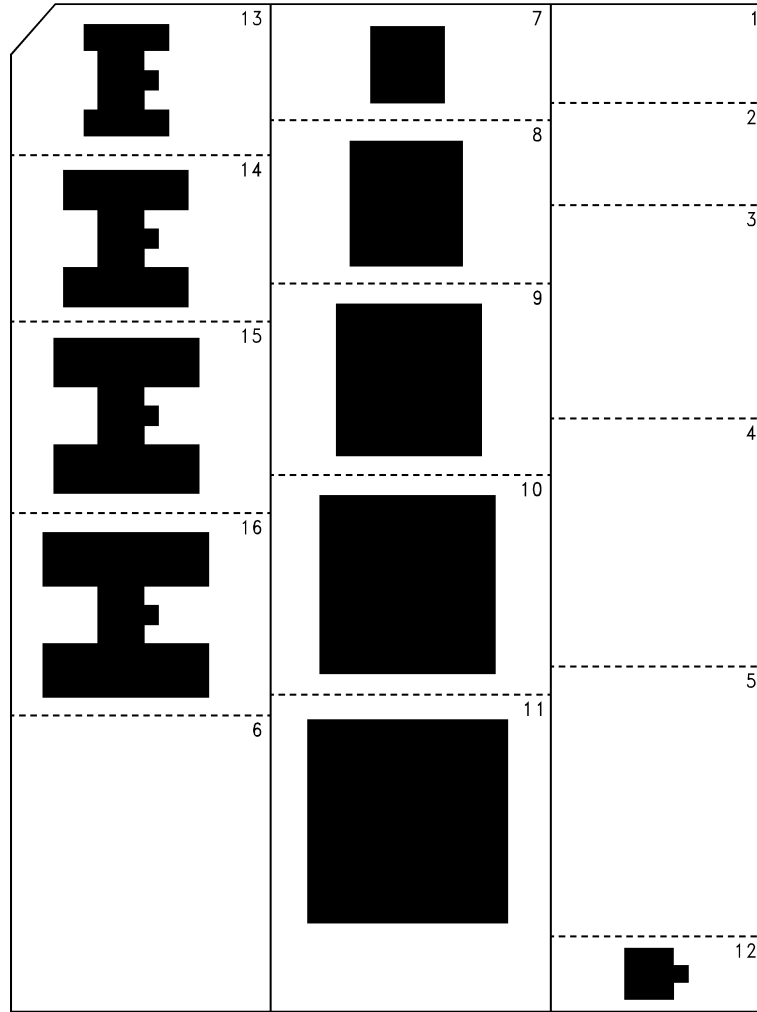


**FIGURE 11.** Maximum Allowable Power Dissipation vs. 1oz Copper Area for SOT-223



**FIGURE 12.** Maximum Allowable Power Dissipation vs. 2oz Copper Area for TO-252

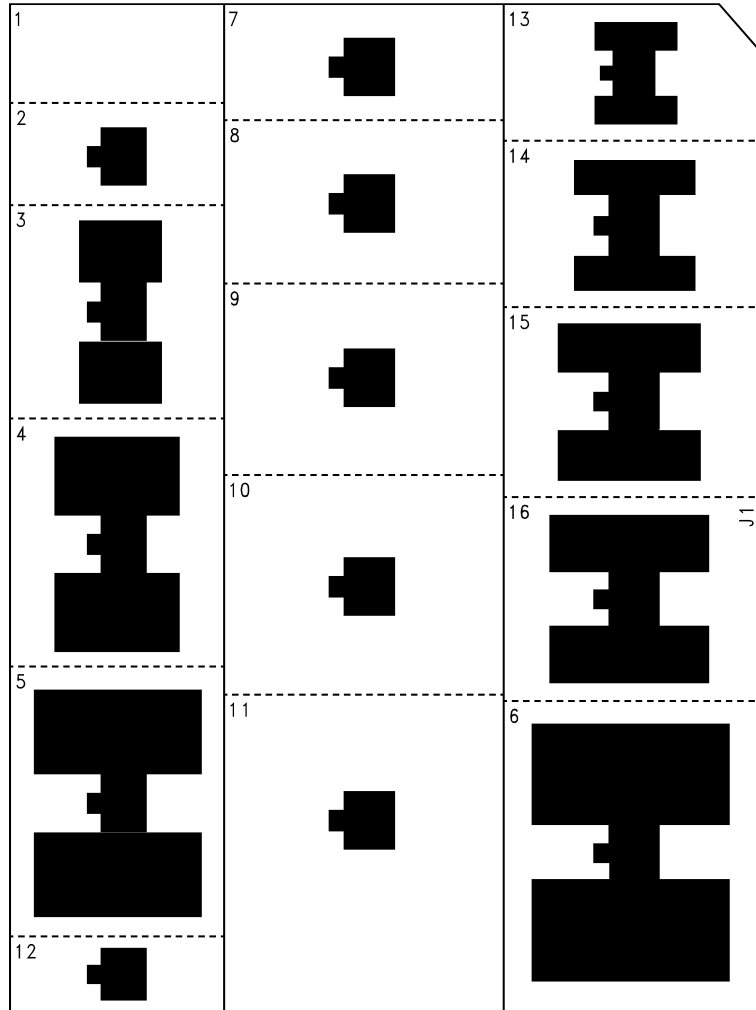
**APPLICATION NOTE** (Continued)



DS100919-41

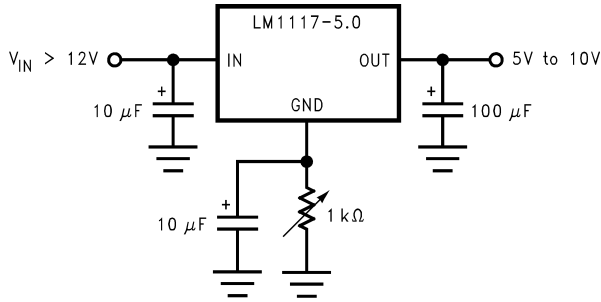
**FIGURE 13. Top View of the Thermal Test Pattern in Actual Scale**

**APPLICATION NOTE** (Continued)



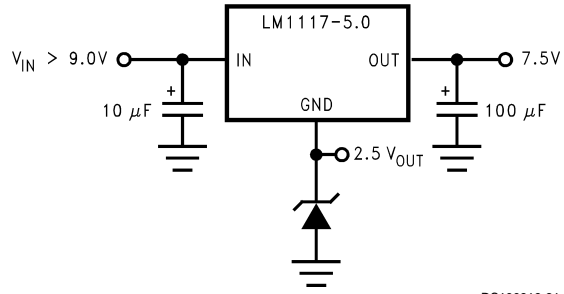
**FIGURE 14. Bottom View of the Thermal Test Pattern in Actual Scale**

## Typical Application Circuits



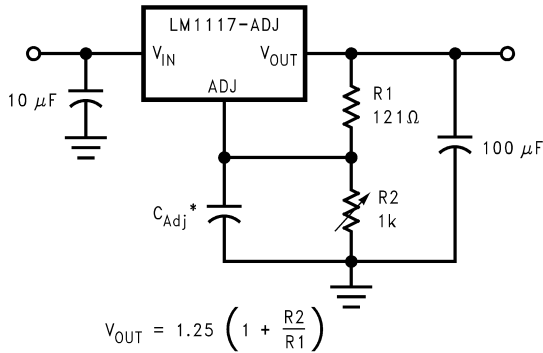
DS100919-30

**Adjusting Output of Fixed Regulators**



DS100919-31

**Regulator with Reference**

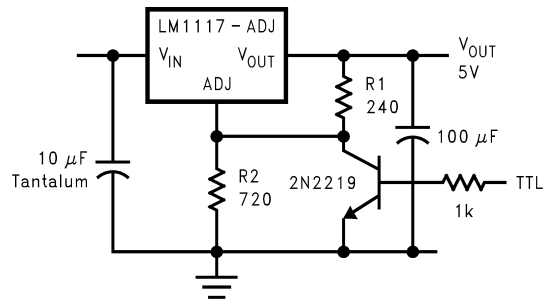


$$V_{OUT} = 1.25 \left( 1 + \frac{R_2}{R_1} \right)$$

\*  $C_{Adj}$  is optional, however it will improve ripple rejection.

DS100919-29

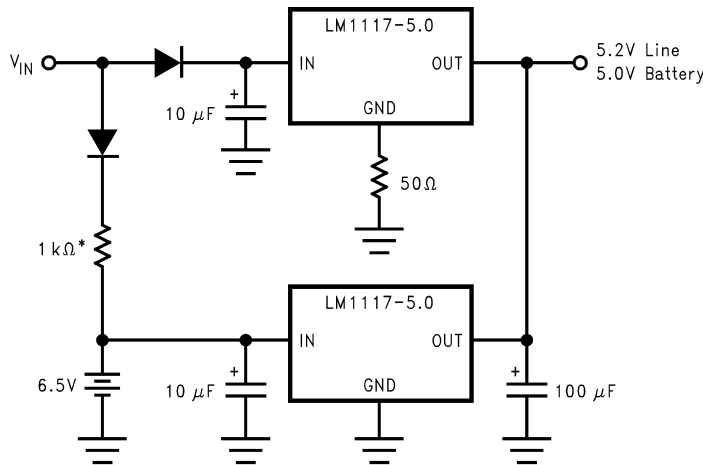
**1.25V to 10V Adjustable Regulator with Improved Ripple Rejection**



\* Min. output  $\approx$  1.25V

DS100919-27

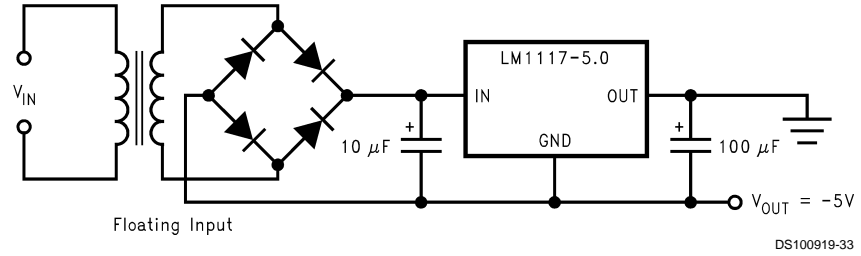
**5V Logic Regulator with Electronic Shutdown\***



\* Select for charge rate.

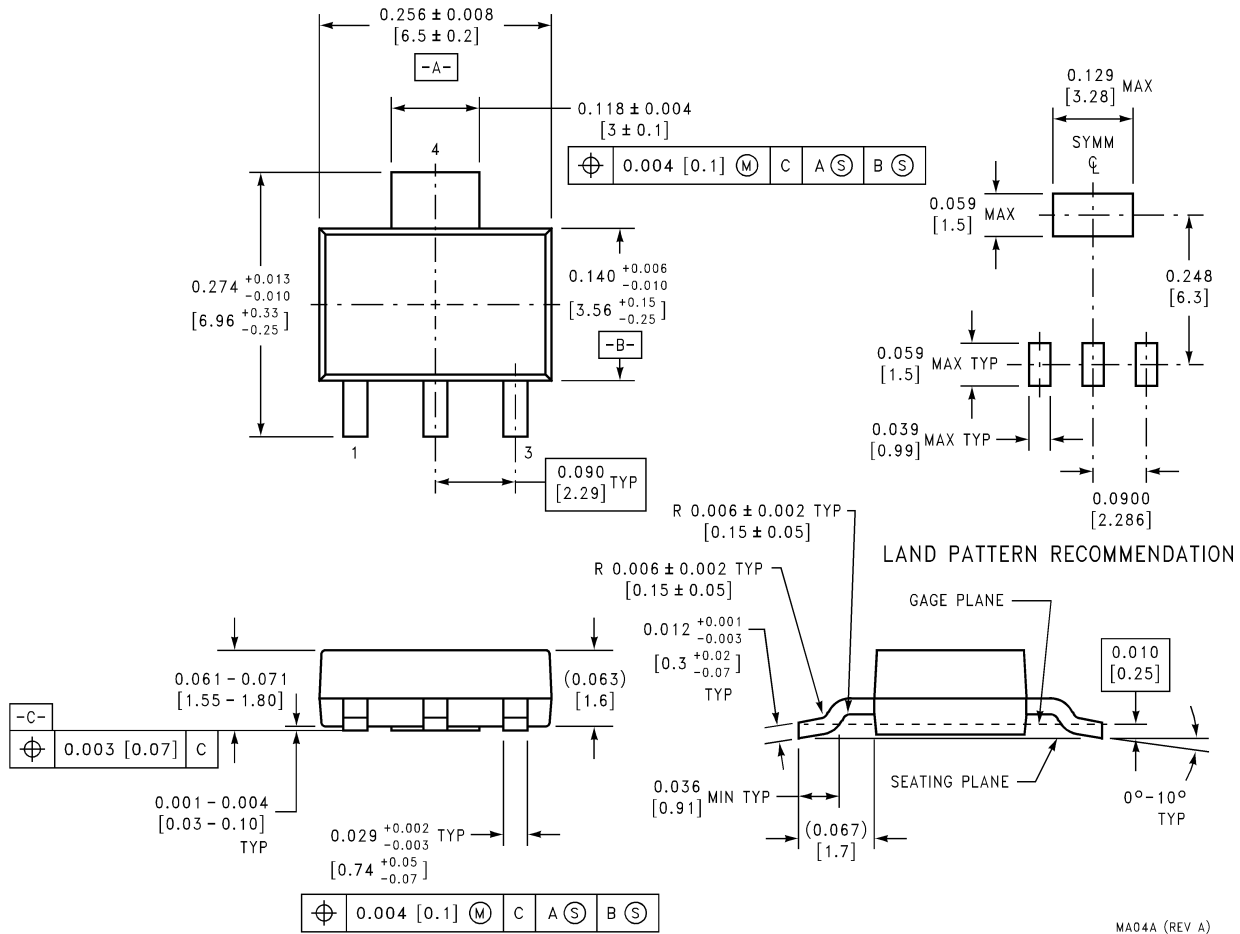
DS100919-32

**Battery Backed-Up Regulated Supply**

**Typical Application Circuits** (Continued)**Low Dropout Negative Supply**



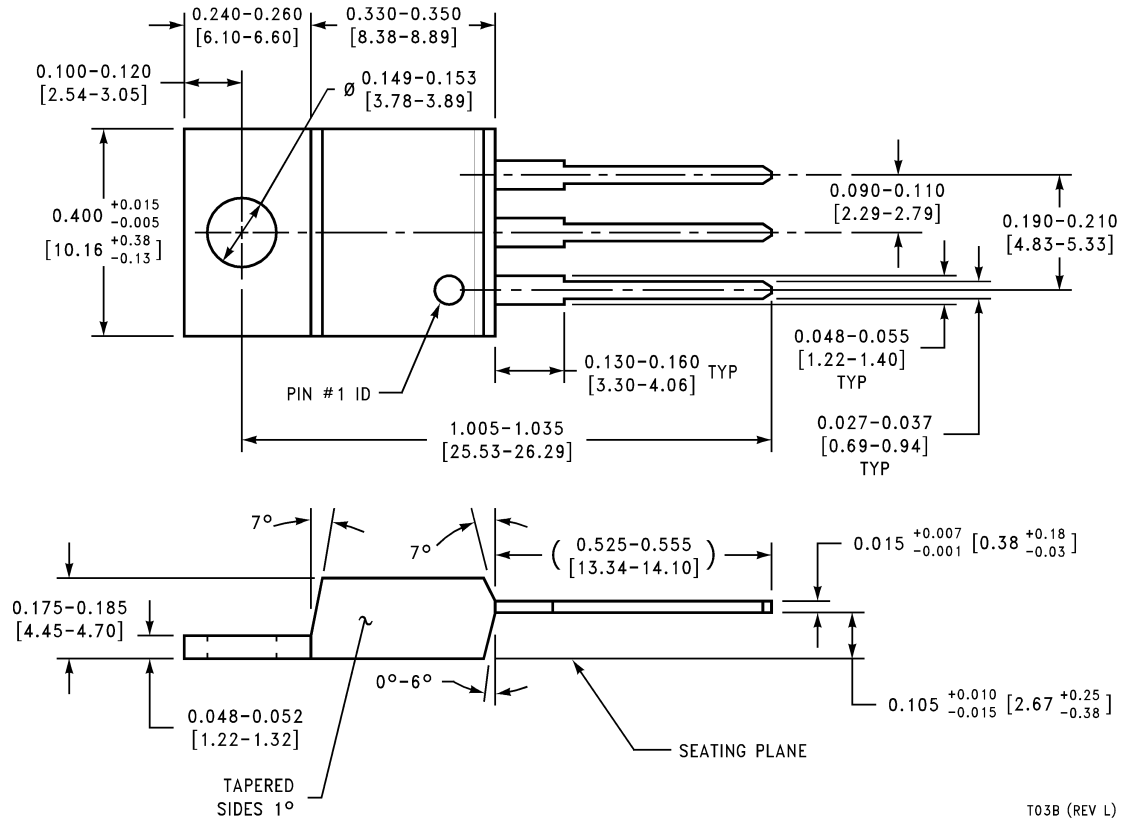
**Physical Dimensions** inches (millimeters) unless otherwise noted



**3-Lead SOT-223 Package**  
**NSC Package Number MA04A**

MA04A (REV A)

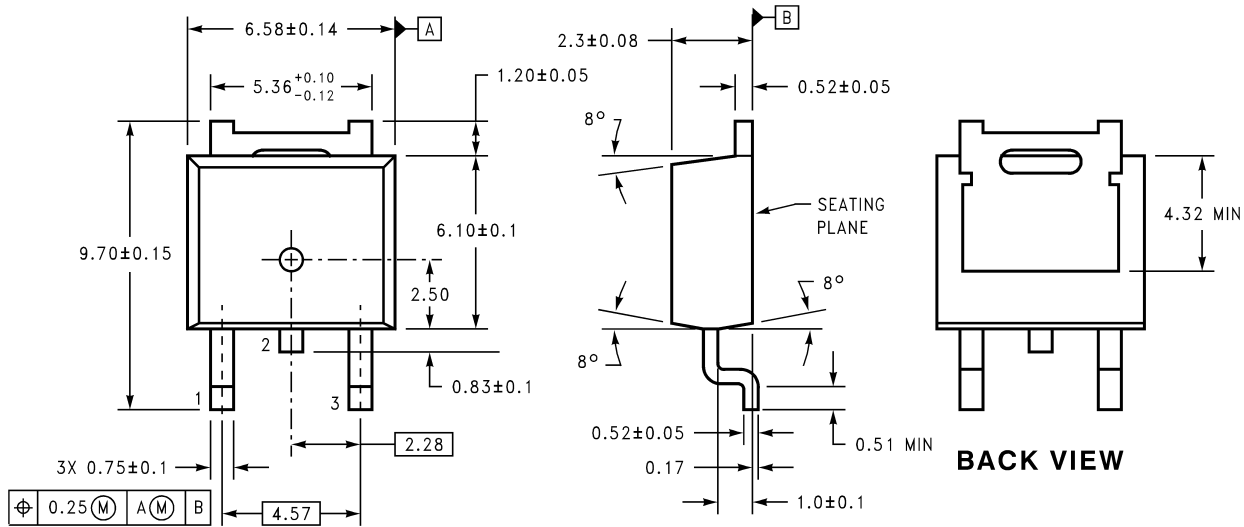
**Physical Dimensions** inches (millimeters) unless otherwise noted (Continued)



**3-Lead TO-220 Package  
NSC Package Number T03B**

T03B (REV L)

**Physical Dimensions** inches (millimeters) unless otherwise noted (Continued)



**DIMENSIONS ARE IN MILLIMETERS**

TD03B (REV A)

**3-Lead TO-252 Package  
NSC Package Number TD03B**

**LIFE SUPPORT POLICY**

NATIONAL'S PRODUCTS ARE NOT AUTHORIZED FOR USE AS CRITICAL COMPONENTS IN LIFE SUPPORT DEVICES OR SYSTEMS WITHOUT THE EXPRESS WRITTEN APPROVAL OF THE PRESIDENT AND GENERAL COUNSEL OF NATIONAL SEMICONDUCTOR CORPORATION. As used herein:

1. Life support devices or systems are devices or systems which, (a) are intended for surgical implant into the body, or (b) support or sustain life, and whose failure to perform when properly used in accordance with instructions for use provided in the labeling, can be reasonably expected to result in a significant injury to the user.
2. A critical component is any component of a life support device or system whose failure to perform can be reasonably expected to cause the failure of the life support device or system, or to affect its safety or effectiveness.



**National Semiconductor Corporation**  
Americas  
Tel: 1-800-272-9959  
Fax: 1-800-737-7018  
Email: support@nsc.com  
www.national.com

**National Semiconductor Europe**  
Fax: +49 (0) 180-530 85 86  
Email: europe.support@nsc.com  
Deutsch Tel: +49 (0) 69 9508 6208  
English Tel: +44 (0) 870 24 0 2171  
Français Tel: +33 (0) 1 41 91 8790

**National Semiconductor Asia Pacific Customer Response Group**  
Tel: 65-2544466  
Fax: 65-2504466  
Email: ap.support@nsc.com

**National Semiconductor Japan Ltd.**  
Tel: 81-3-5639-7560  
Fax: 81-3-5639-7507